

7UHQFK 026 %DUULHU 6FKRWWN\ 5H

**Features**

- ‡ \$GYDQWUHQFK WHFKQRORJ\
- ‡ /RZRZDWRGWDJH GURS
- ‡ /RZRZDWRVVHV
- ‡ +LJHILFLHQF\ RSHUDWLRQ
- ‡ /HDGHLQLVK &RPSOLDQW

**Applications**

- ‡ '&' &RQYHUWHUV
- ‡ \$&'&GDSWRUV
- ‡ 6ZLWFKRZHS SOLHV
- ‡ )UHHZKHHLRGLJ

**Maximum ratings and electrical characteristics (TJ = 25°C unless otherwise noted)**

3DUDPHWHU	6\PERO	/LPLW	8QLW
0D[LPXPVSHUNYHYURQWDJH	9550		9
0D[LPXPYHURJHZDUG UFXEWHIQWG	,) \$9		\$
3HDN IRUZXDFBUUHQW VLQDQHZDYH VXSHULPSQNDVGRSGLRGH	,) 60		\$
2SHUDMXQDQGRQWRUDJH WDESHUDWXD	H767*	WR	
7\SLFDO WKHUPDO UHVLVWDQFH SHU	GLSGLDRXQWHG RQ )5		3&f% :
,QVWDQWDQHRROWRUJZDUG SHGLRGH	9)	7<3	0\$;
			9

1RWHV

3XOVH WHV\$XOVH ZLGWK GXW\F\FOH

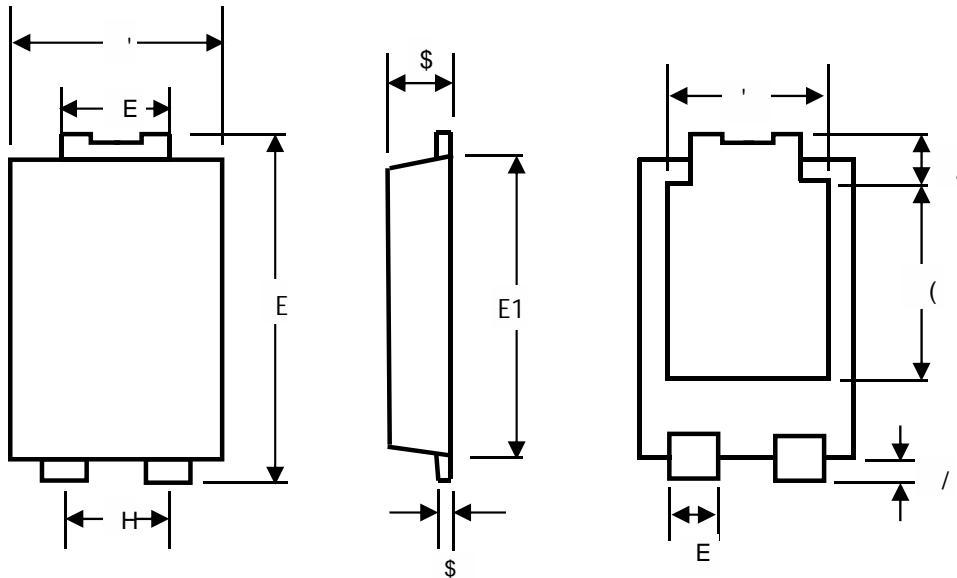
3XOVH WHVW 3XOPVH ZLGWK 0

---

**RATINGS AND CHARACTERISTICS CURVES (TA = 25 °C unless otherwise noted)**

**PACKAGE OUTLINE DIMENSIONS**

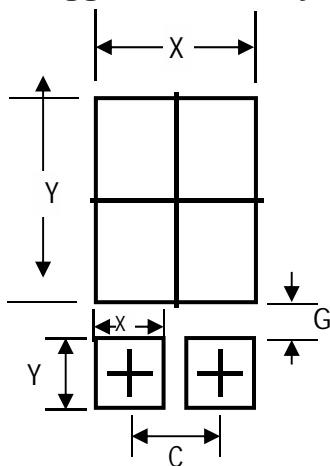
7 2



**TO-277 mechanical data**

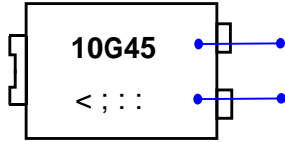
81,7		\$	\$	E	E	'	'	(	(	(	/	/
PP	PD[											
	PLQ											
PLO	PD[											
	PLQ											

**7 2 Suggested Pad Layout**

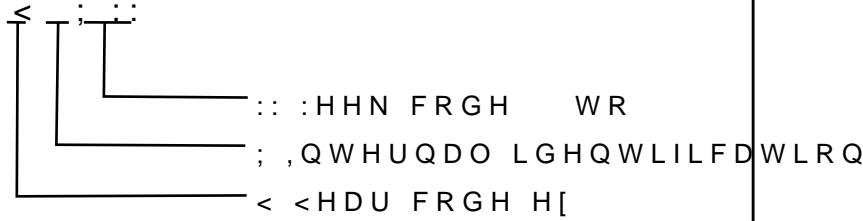


81,7		&	*	;	;		
PP	PLQ						
PLO	PLQ						

**Marking Information**

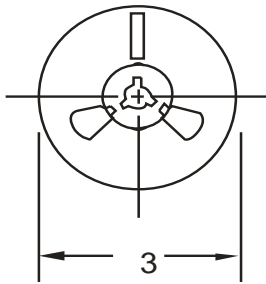


3URGXFW PRGHO 76310U45SPG  
WR DU4510  
3' & LQIRUPDWLRQ

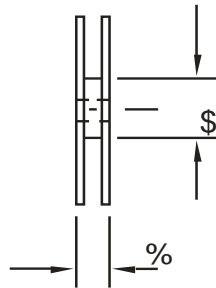


**Packaging Information**

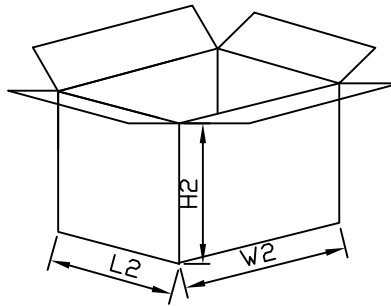
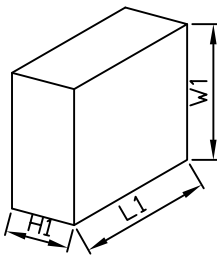
5HHO 'LPHQVLRQV



,QVLGH %R[



2XWVLGH %R[



**Packaging Information**

12	81,7	5HHO'PHQVLRQV	,QVLGH %R[	2XWVLGH %R[
6L]H	PP	\$ %	/ : +	/ : +
47<	3&6	6PDOOHVW SDFNDJH	3&6 UHHO	3&6 UHHO
1RWH		7ROHUDQFPP" PP	PP" PP	PP" PP