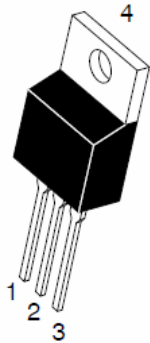
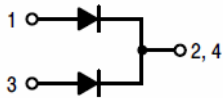


7 UHQFK 026 %DUULHU 6FKRWWN\ 5H

TO-220AB  
TSR30L200CT



ITO-220AB  
TSR30L200CTF



Features

- ‡ \$GYDQWUHQFK WHFKQRORJ\
- ‡ /RZRZDWRGWDJH GURS
- ‡ /RZRZDWRVVHV
- ‡ +LJKILFLHQF\ RSHUDWLRO
- ‡ /HDGH)HLQLVK &R#6OLDQW

Applications

- ‡ '&' &RQYHUWHUV
- ‡ \$&'&GDSWRUV
- ‡ 6ZLWFKRZDIXSSOLHV
- ‡ )UHHZKH'HLRGLQJ

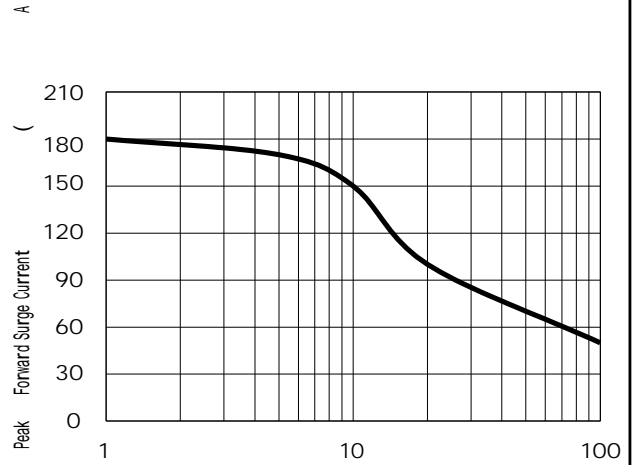
Maximum ratings and electrical characteristics (T<sub>J</sub> = 25°C unless otherwise noted)

3DUDPHWHU		6\PERO	/LPLW	8QLW
0D[LPXPHSHVSHUNYHYURQHW DJH		9550		9
0D[LPXPHUDRJDZDUG UFXEWHIHWG		GHYLFH SHGLRGH	,) \$9	\$
3HDN IRVZDUEBUUHQW VLKDDHQH ZDYH				
VXSHULPSRVHGRFSGUJDRVGHG				
2SHUDMXQDQGRQWRUDJH WHPSHUDW		XUH 0DQJH	WR	
7\SLFVCHUPDO USHVULVQHDQFH		72 \$%	5\$-&	f& :
		,72 \$%		f& :
,QVWDQWDQHRRQWRUJZDUG SHGLRGH		9)	7<3	0\$;
				9
,QVWDQWDQHRXUUSHQWRDWH				
UDWHYHUVH				
1RWHV				
3XOVH WHVVSXOVH ZLGWK GXW\F\FOH				
3XOVH WHVW 3XOPH ZLGWK 0				

## RATINGS AND CHARACTERISTICS CURVES

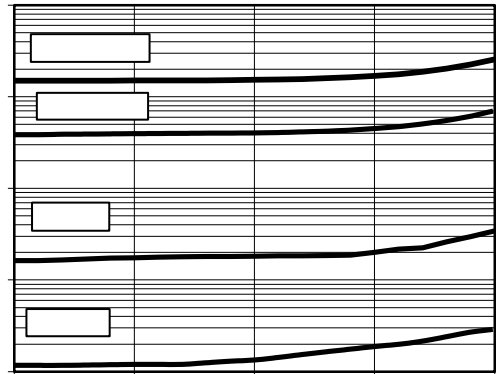
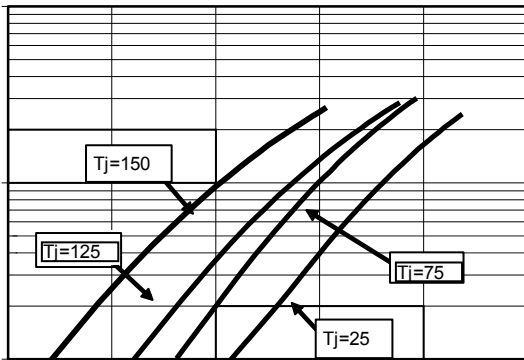
( TA = 25°C unless otherwise

If, Average Forward Current (A)



Tc, Case Temp (°C)

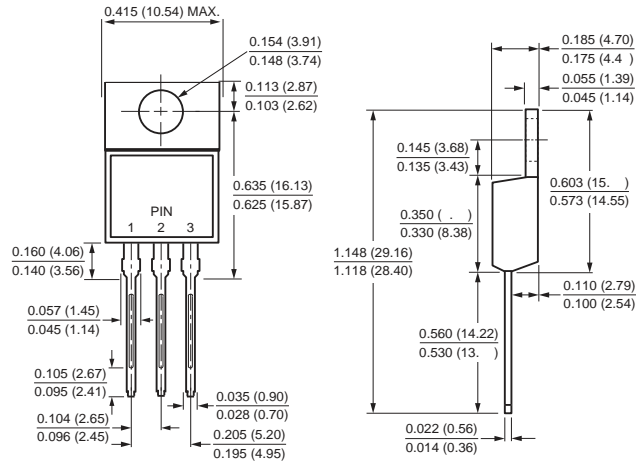
**Figure 1: Current Derating, Case**



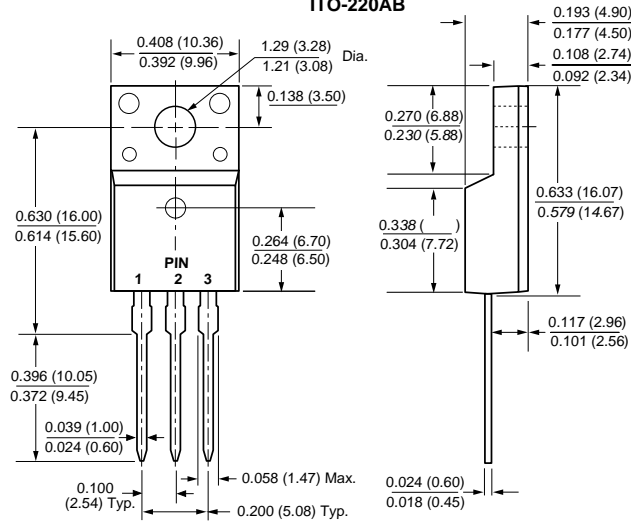
## PACKAGE OUTLINE DIMENSIONS

Note: unit In ( mm)

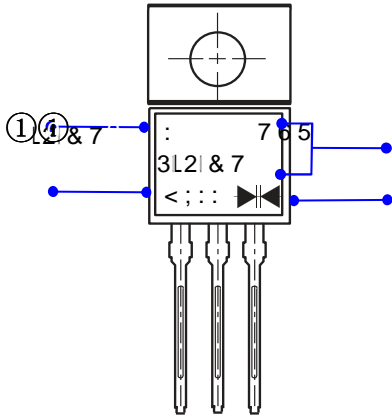
TO-220AB



ITO-220AB



### Marking Information

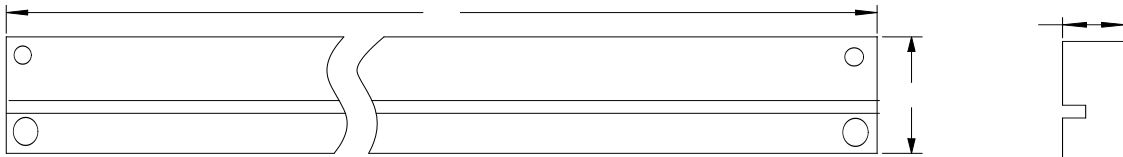


- ①
- ② 3URGXFW 763210 TSR3L2CTF
- ③ 3' & LQIRUPDWLRQ



### Packaging Information

7XEH 'LPHQVLRQV



,QVLGH %R[

2XWVLGH %R[

### Packaging Information

12	81,	7XEH 'LPHQVLR			,QVLGH %R[			2XWVLGH %R[		
6L]H	PP	\$	%	&	/	:	+	/	:	+
47<	3&6	3&6 7XEH			6PDO SHVWDJH3&6 WXEWRWDO			3&6 FDUERGLWRWDO		
1RWH		7ROHUDQFH PP" PP			PP" PP			PP" PP		