

7UHQFK 026 %DUULHU 6FKRWWN\ 5H

Features

- ‡ \$GYDQWUHQFK WHFKQRORJ\
- ‡ /RZRUZDURGDWDJH GURS
- ‡ /RZRZURVVHV
- ‡ +LJHILFLHQF\ RSHUDWLRQ
- ‡ /HDGH)HLQLVK &R#6OLDQW

763 / \$)
SMAF



Applications

- ‡ '&' &RQYHUWHUV
- ‡ \$\$ '&\$GDSWRUV
- ‡ 6ZLWF&RZD&XSSOLHV
- ‡)UHHZKH'HL&GQJ

Maximum ratings and electrical characteristics (TJ = 25°C unless otherwise noted)

3DUDPHWHU		6\PERO	/LPLW	8QLW
0D[LXPXPHSHVSHUNYHYURQHW DJH		9550		9
0D[LXPYHURJHZDUG UFXEWHIQWG		,) \$9		\$
				f &
		5\$-&		f & :
,QVWDQWDQHRXV IRUZDUGYROWDJH	,) \$	7- f &	7 < 3	0\$;
	,) \$	7- f &		
	,) \$	7- f &		
	,) \$	7- f &		
,QVWDQWDQHRXV UHFRQVWUHQ		7- f &		X\$
		7- f &		P\$

1RWHV

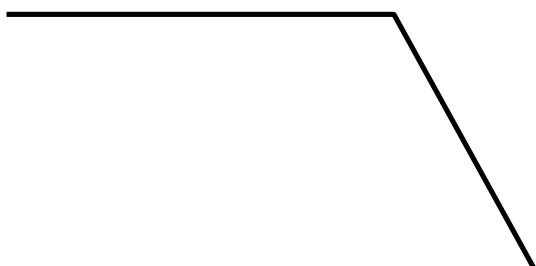
3XOVH WHV\$XOVH ZLGWK GXW\ F\FOH

3XOVH WHVW 3XOPVH ZLGWK 0

RATINGS AND CHARACTERISTICS CURVES

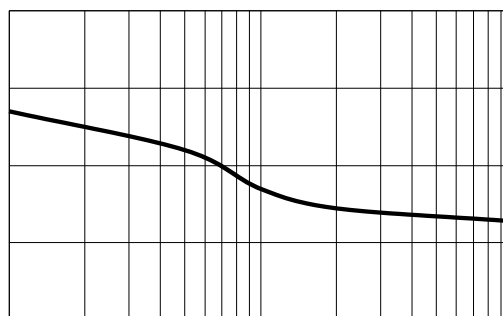
7 \$

f & X Q O H V Q R W K G U Z L V H



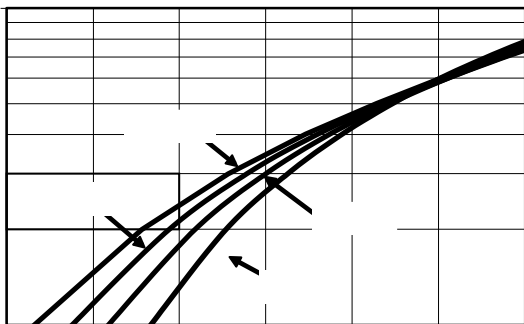
7 F & D V H P S &
Current Derating, Case

3 H D N R U Z D B X G J B H U U I S Q W



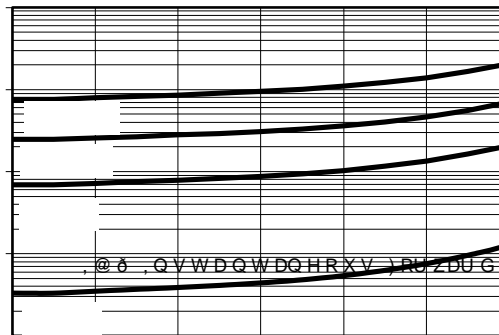
1 X P E R U & \ D O W H + V J

Maximum Repetitive Surge Current



9 I , Q V W D Q W D R Q Z B Q R C R O W D P J H

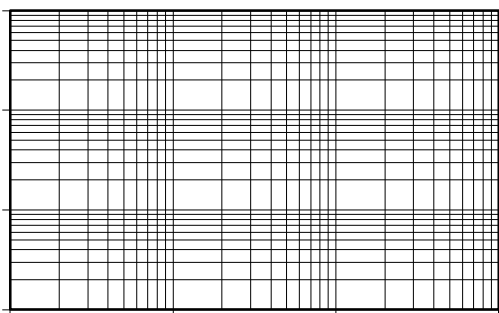
Typical Forward Voltage



@ 6 , Q V W D Q W D Q H R X V) R U Z D U G & X U U H Q W \$

9 5 5 H Y H U V H 9 R O W D J H 9 R O W V

Typical Reverse Current

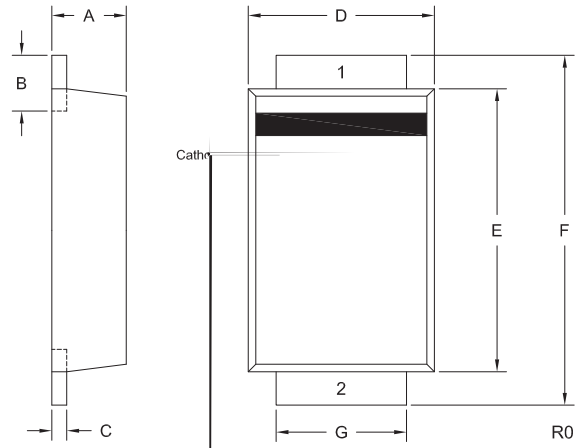


5 H Y H U V H 9 R O W D J H 9

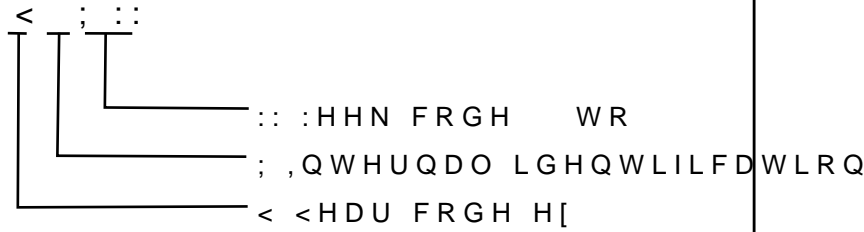
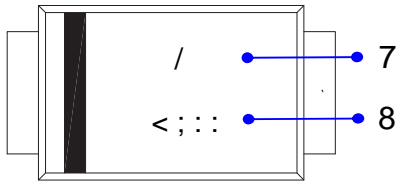
Typical Junction Capacitance

PACKAGE OUTLINE DIMENSIONS

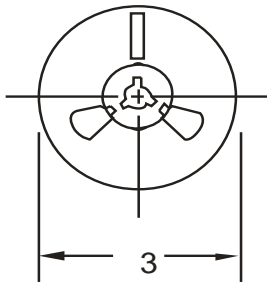
60 \$)



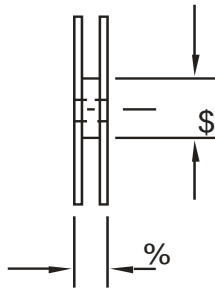
3URGXFW PRGHO 763 / \$)/LV DEEU
 3' & LQIRUPEDWLRQ



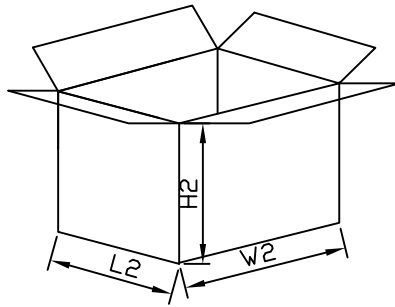
3DFNDJLQJ ,QIRUPDWLRQ
 5HHO 'LPHQVLRQV



,QVLGH %R[



2XWVLGH %R[



3DFNDJLQJ ,QIRUPDWLRQ