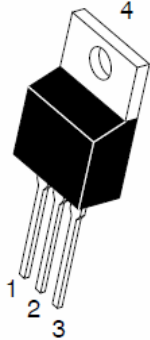




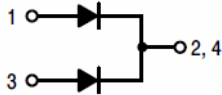
TSR \$ CT  
TSR \$ CTF

7 UHQFK 026 %DUULHU 6FKRWWN\ 5H

TO-220AB  
TSR20A100 & 7



ITO-220AB  
TSR20A100 & 7)



Features

- ‡ \$GYDQWUHQFK WHFKQRORJ\
- ‡ /RZRZURGRWDJH GURS
- ‡ /RZRZURVVHV
- ‡ +LJKILFLHQF\ RSHUDWLRO
- ‡ /HDGH)HLQLVK &RPSOLDQW

Applications

- ‡ ' & ' & RQYHUWHUV
- ‡ \$ & ' & GDSWRUV
- ‡ 6ZLWFKRZHXSSOLHV
- ‡ )UHHZKH)HLGRQJ

Maximum ratings and electrical characteristics (T<sub>J</sub> = 25°C unless otherwise noted)

3DUDPHWHU		6\PERO	/LPLW	8QLW
0D[LPXPHSHVSHUNYHYURQHW DJH		9550		9
0D[LPXPHYHURJHZDUG UFKUWHIHWG	GHYLFH SHGLRGH	,) \$9		\$
3HDN IRVZDUEBUUHQW VLKDOHQH ZDYH VXSHULPSRVHGRFSGUDRCHG		,)60	8	\$
2SHUDMXQDQGRQWRUDJH WHPSHUDW	XUHURDJH		WR	f &
7\SLFVCHUPDO USHVULVQHDQFH	72 \$% ,72 \$%	5\$-&		f & : f & :
,QVWDQWDQHRROWRUJZDUG SHGLRGH	,) \$	7- f &	7 < 3	9
	,) \$	7- f &	0\$;	
	,) \$	7- f &		
	,) \$	7- f &		
,QVWDQWDQHRXUUSHOMRQWH UDWHYHYURQHW DJH	7- f &	,5		X\$
	7- f &			P\$

1RWHV

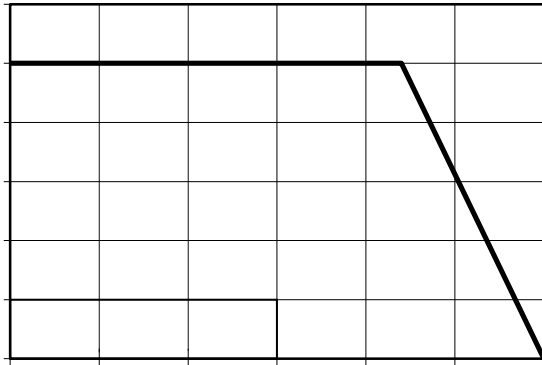
3XOVH WHVVSXOVH ZLGWK GXW\F\FOH

3XOVH WHVW 3XOPH ZLGWK 0

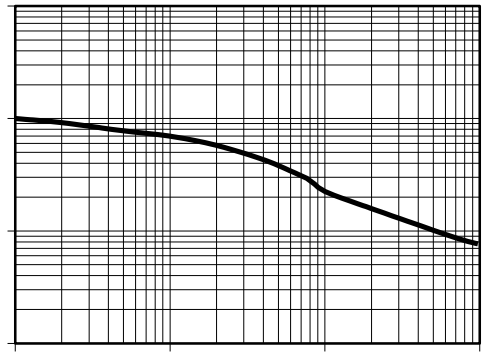


TSR \$ CT  
 TSR \$ CTF

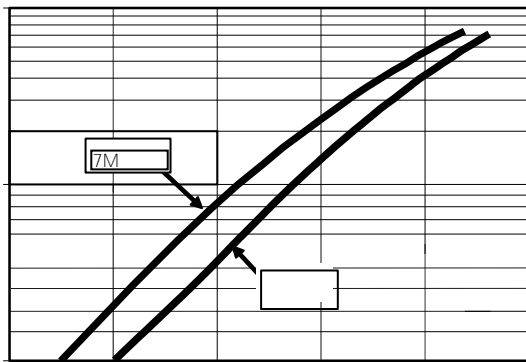
RATINGS AND CHARACTERISTICS CURVES



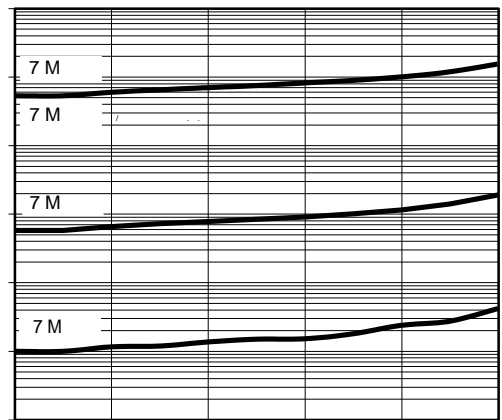
Current Derating, Case



Typical Junction Capacitance



Typical Forward Voltage



Typical Reverse Current

---

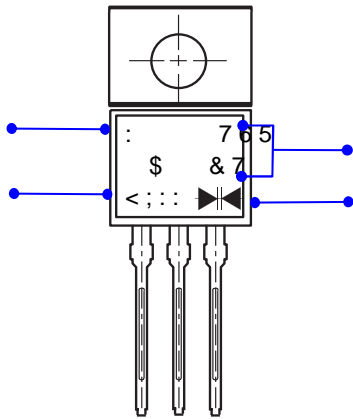
PACKAGE OUTLINE DIMENSIONS

—  
—

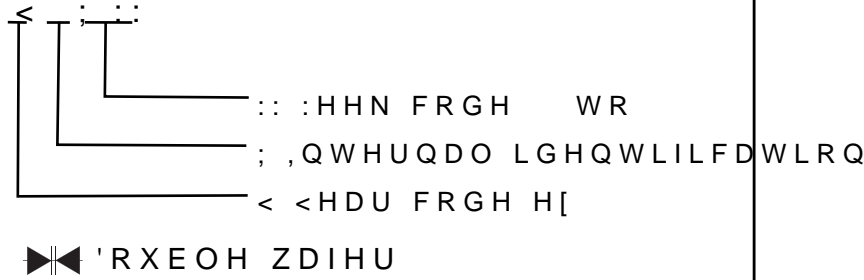


TSR \$ CT  
TSR \$ CTF

**Marking Information**

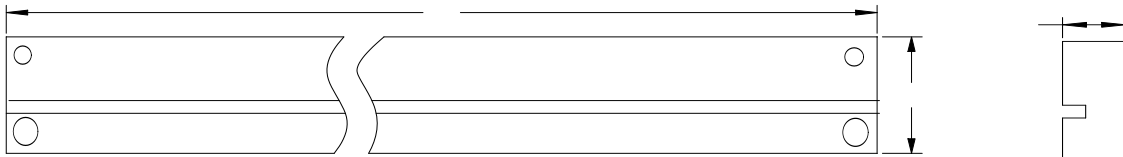


: &RPSDQ\ V WUDGHPDUN  
3URGXFW 765GH\$O &7 RU 765 &\$)  
3'& LQIRUPDWLRQ



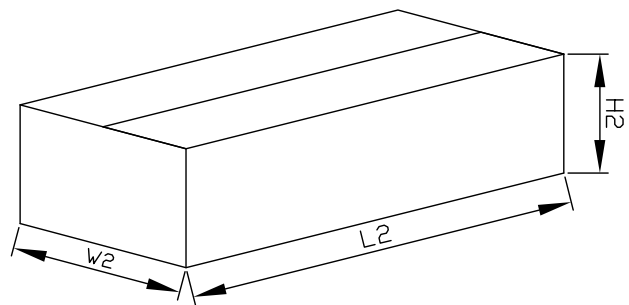
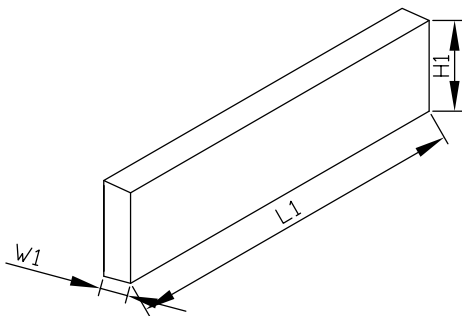
**Packaging Information**

7XEH 'LPHQVLRQV



,QVLGH %R[

2XWVLGH %R[



**Packaging Information**

12	81,	7XEH 'LPHQVLRQV			,QVLGH %R[			2XWVLGH %R[		
6L]H	PP	\$	%	&	/	:	+	/	:	+
47<	3&6	3&6 7XEH			6PDOO SHVWDJH WXEOVRWDO			3&6 3&6 FDUWRQV RYHIO		
1RWH		7ROHUDQFH PP" PP			PP" PP			PP" PP		