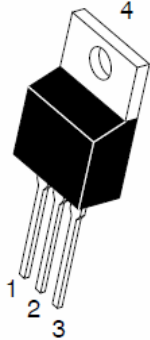


7 UHQFK 026 %DUULHU 6FKRWWN\ 5H

TO-220AB  
TSR / CT



ITO-220AB  
TSR / CTF

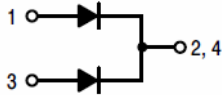


Features

- ‡ \$GYDQWUHQFK WHFKQRORJ\
- ‡ /RZRZDWRGWDJH GURS
- ‡ /RZRZDWRVHV
- ‡ +LJKILFLHQF\ RSHUDWLRO
- ‡ /HDGH)HLQLVK &R#6OLDQW

Applications

- ‡ ' & ' & RQYHUWHUV
- ‡ \$ & ' & \$GDSWRUV
- ‡ 6ZLWFKRZDIXSSOLHV
- ‡ )UHHZKH'HLRGLJ



Maximum ratings and electrical characteristics (T<sub>J</sub> = 25°C unless otherwise noted)

3DUDPHWHU		6\PERO	/LPLW	8QLW
0D[LXPXPHSHVSHUNYHYURQHW DJH		9550		9
0D[LXPXPHUDRJRZDUG UFXEWHIHWG	GHYLFH SHGLRGH	,) \$9		\$
3HDN IRVZDUEBUUHQW VLQDQH ZDYH VXSHULPSRVHGRFSGUDRCHG		,)60		\$
2SHUDMXQDQLRQWRUDJH WHPSHUDW	XUH 0DQJH	WR		f &
7\SLFVCHUPDO USHVULVQHDQFH	72 \$% ,72 \$%	5\$-&		f & : f & :
,QVWDQWDQHRRQWRUJZDUG SHGLRGH	,) \$	7- f&	7 < 3	9
	,) \$	7- f&	0\$;	
	,) \$	7- f&		
	,) \$	7- f&		
,QVWDQWDQHRXUUSHQWRUJZDUG UDWHYHYURQHW DJH	7- f&	,5		X\$
	7- f&			P\$

1RWHV

3XOVH WHVVSXOVH ZLGWK GXW\F\FOH

3XOVH WHVW 3XOPVH ZLGWK 0

## RATINGS AND CHARACTERISTICS CURVES

f & X Q O H V Q R W K B U Z L V H

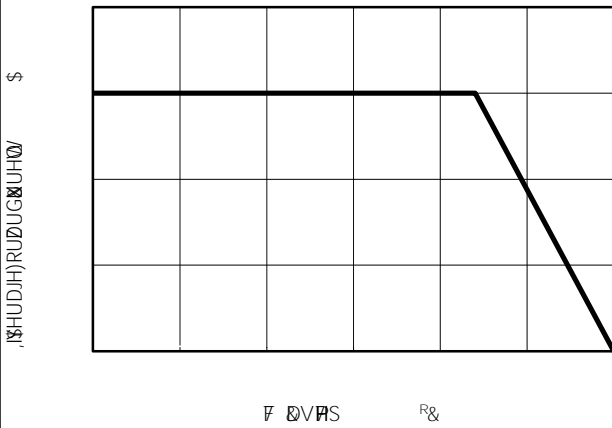


Figure 1: Current Derating, Case

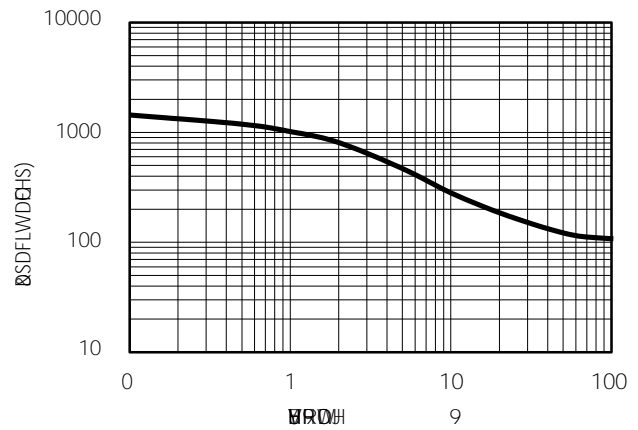
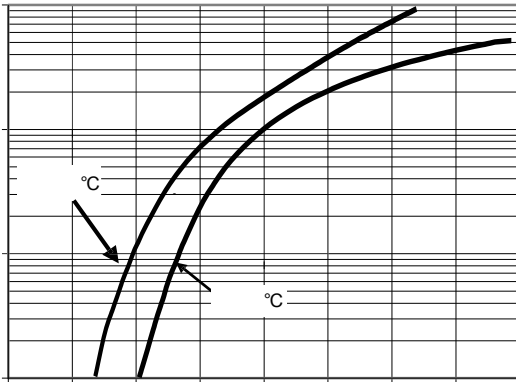
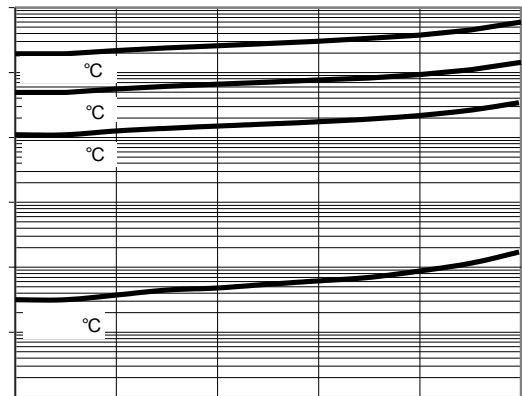


Figure 2: Typical Junction Capacitance

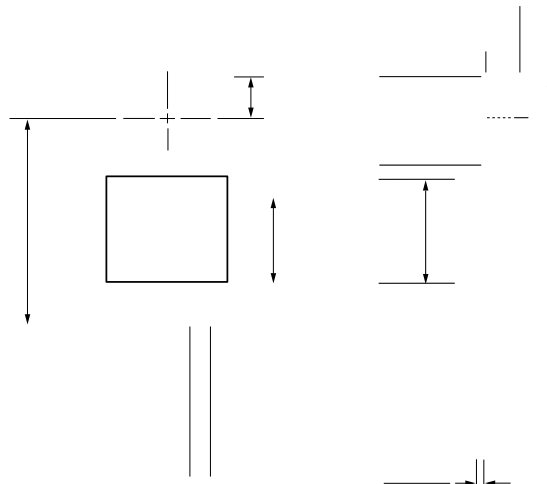


Typical Forward Voltage

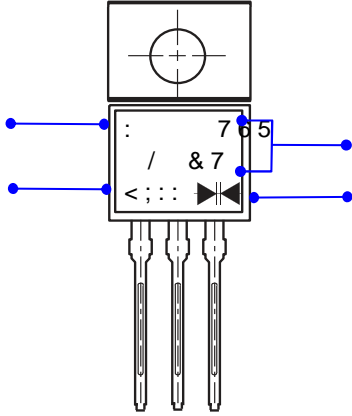


Typical Reverse Current

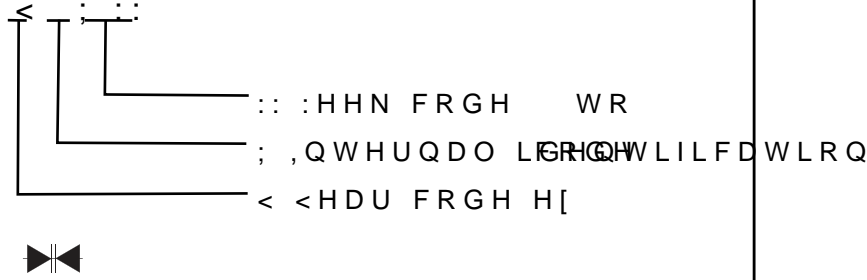
# PACKAGE OUTLINE DIMENSIONS



### Marking Information

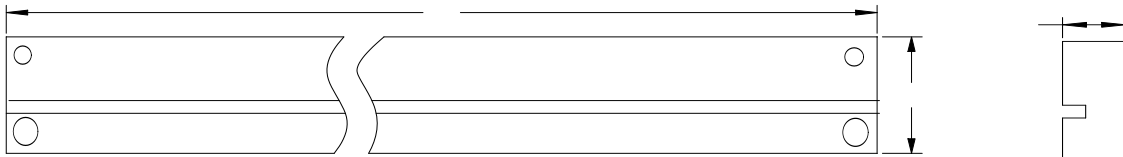


3URGXFW 765 / & 7) 3' & LQIRUPDWLRQ



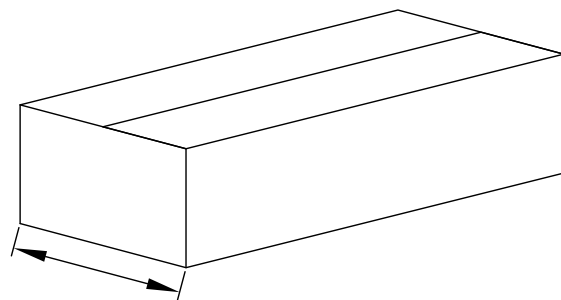
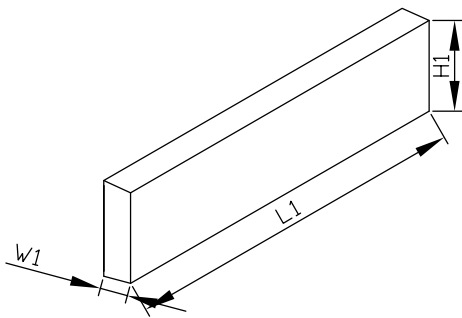
### Packaging Information

7XEH 'LPHQVLRQV



,QVLGH %R[

2XWVLGH %R[



### Packaging Information

12	81,	7XEH 'LPHQVLRQV			,QVLGH %R[			2XWVLGH %R[		
6L]H	PP	\$	%	&	/	:	+	/	:	+
47<	3&6	3&6 7XEH			6PDO SHFW DJH 3&6 WXEH WRWDO			3&6 FDUERQ WRWDO		
1RWH	7ROHUDQFH PP" PP			PP" PP			PP" PP			