

7 UHQFK 026 %DUULHU 6FKRWWN\ 5H

TO-220AB
TSR CT



ITO-220AB
TSR CTF





Features

- ‡ \$GYDQWUHQFK WHFKQRORJ\
- ‡ /RZRZURGRWDJH GURS
- ‡ /RZRZURGRVHV
- ‡ +LJKILFLHQF\ RSHUDWLRO
- ‡ /HDGH)HLQLVK &R#6OLDQW

Applications

- ‡ '&' & RQYHUWHUV
- ‡ \$&' & \$GDSWRUV
- ‡ 6ZLWFKRZHXSSOLHV
- ‡)UHHZKH'HLRGRJ

Maximum ratings and electrical characteristics (T_J = 25°C unless otherwise noted)

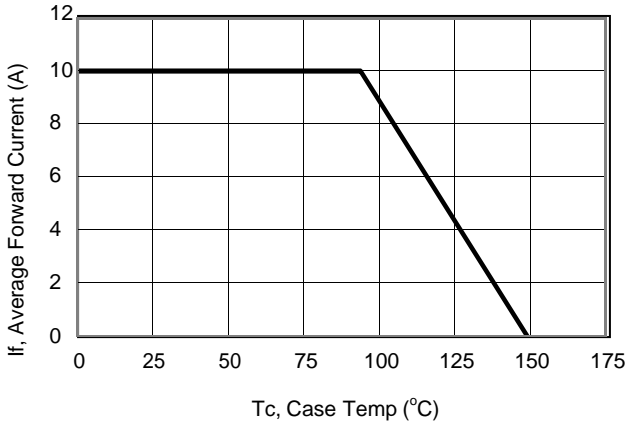
3DUDPHWHU		6\PERO	/LPLW	8QLW
0D[LPXPHSHVSHUNYHYURQHW DJH		9550		9
0D[LPXPHYHURJHZDUG UFKUWHIHWG		,) \$9		\$
GHYLFH SHGLRGH				
3HDN IRVZDUEBUHQW VLQDQH ZDYH		,) 60		\$
VXSHULPSRVHGRFSGUDRCHG				
2SHUDMXQDQLRQWRUDJH WHPSHUDW		XUH 0DQJH	0WR	f &
7\SLFVCHUPDO USHVULVQHDQFH		5\$ - &		f & :
72 \$% , 72 \$%				
, QVWDQWDQHRROWRUJZDUG SHGLRGH		9)	7 < 3	0\$;
	,) \$		7- f &	
	,) \$		7- f &	
	,) \$		7- f &	
, QVWDQWDQHRXUUSHQWRCWH		, 5		X\$
	UDWHYHYURQHW DJH		7- f &	

1RWHV
3XOVH WHVVSXOVH ZLGWK GXW\F\FOH
3XOVH WHVW 3XOPVH ZLGWK 0

RATINGS AND CHARACTERISTICS CURVES

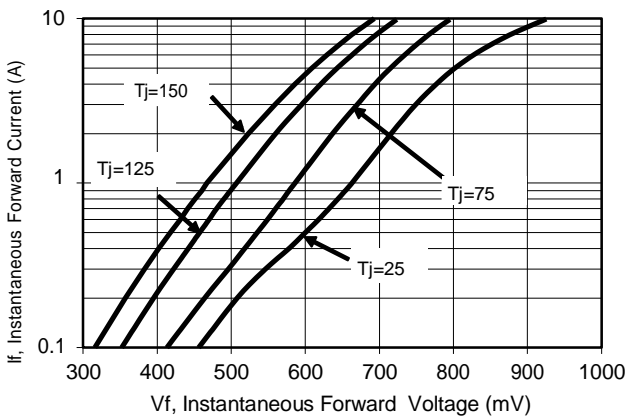
7 \$

f & X Q O H V Q R W K B U Z L V H



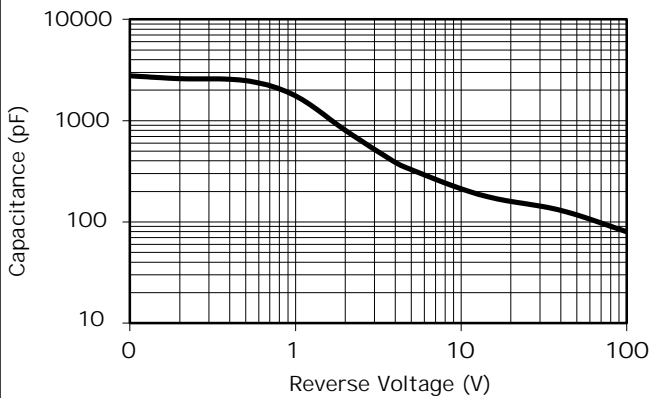
T_c , Case Temp (°C)

Current Derating Case

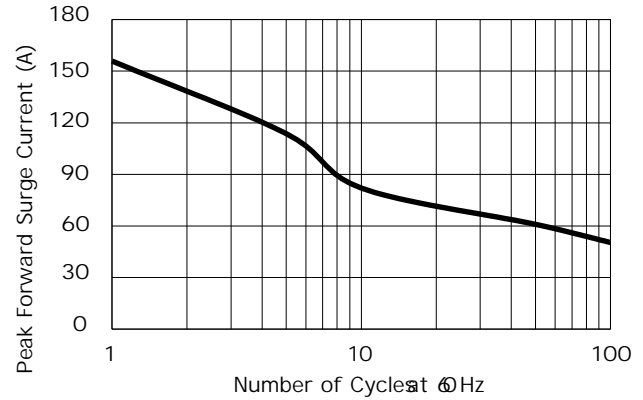


V_f , Instantaneous Forward Voltage (mV)

Typical Forward Voltage

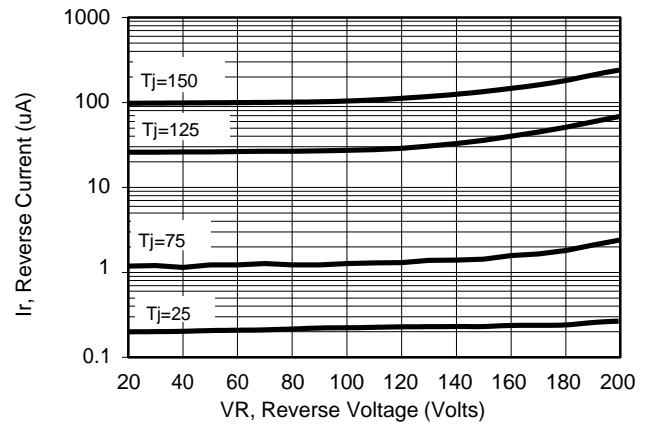


Typical Junction Capacitance



Number of Cycles at 60Hz

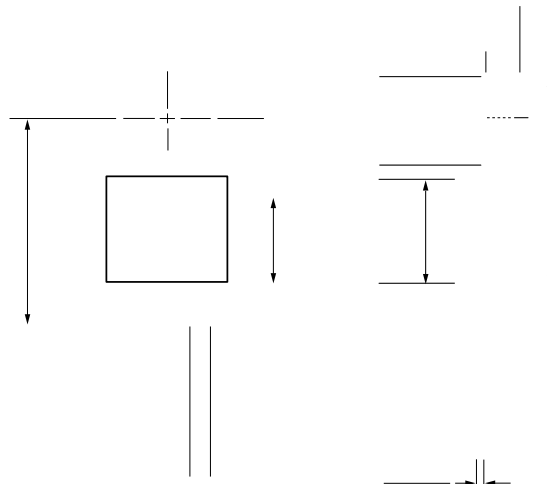
Maximum Repetitive Surge Current

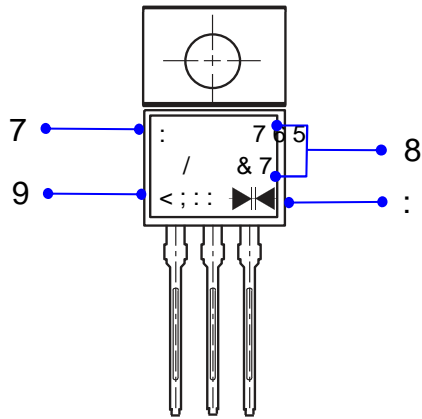


V_R , Reverse Voltage (Volts)

Typical Reverse Current

PACKAGE OUTLINE DIMENSIONS



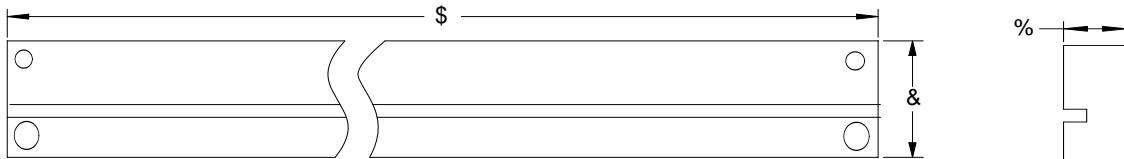


3URGXFW PRGSHD &7RU 765 &7)
93' & LQIRU EDWLRQ
< ; ::

:: :HHN FRGH WR
; ,QWHUQDO LGRQWLILFDWLRQ
< <HDU FRGH H[

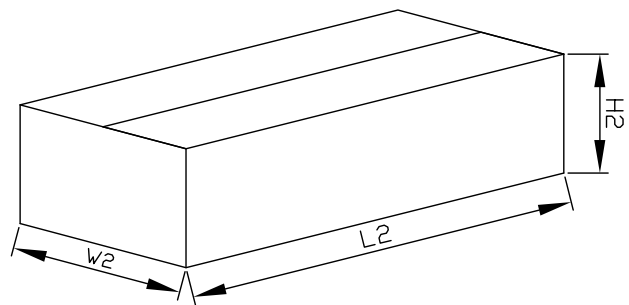
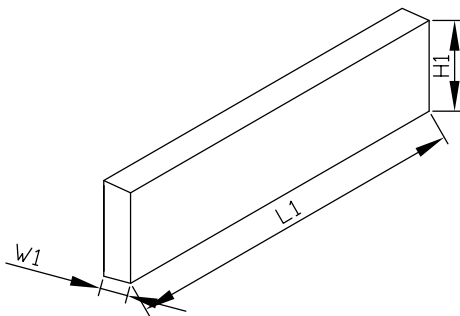
: >> 'RXEOH ZDIHU

7XEH 'LPHQVLRQV



,QVLGH %R[

2XWVLGH %R[



3DFNDJLQJ ,QIRUPDWLRQ

12	81,	7XEH 'LPHQVLRQV			,QVLGH %R[2XWVLGH %R[
6H	PP	\$	%	&	/	:	+	/	:	+
47<	3&6	3&6 7XEH			6PDO SHFDJH3&6 WXEWRWDO			3&6 FDUWRWDO		
1RWH	7ROHUDQFPP"PP			PP"PP			PP"PP			