

FK 026 %DUULHU 6FKRWWN\ 5H

220AB
S150CTF



Features

- ‡ \$GYDQWUHQFK WHFKQRORJ\
- ‡ /RZRUZDURGDWDJH GURS
- ‡ /RZRZURVVHV
- ‡ +LJHILFLHQF\ RSHUDWLRO
- ‡ /HDGH)HLQLVK &R#6OLDQW

Applications

- ‡ '& '& &RQYHUWHUV
- ‡ \$& '\$GDSWRUV
- ‡ 6ZLWFKRZHXSSOLHV
- ‡)UHHZKH'HLRGLJ

Maximum ratings and electrical characteristics (T_J = 25°C unless otherwise noted)

3DUDPHWHU	6\PERO	/LPLW	8QLW
0D[LPHSHVSHUNYHYURQHW DJH	9550		9
0D[LPHYHURJHZDUG UFXEWHQWGHYLFH ,) \$9			\$
3HDN IRVZDUEBUUHQW VLKDDHQH ZDYH VXSHULPSRVHGRFSCGLDVGHG	,)60		\$
2SHUDMXQDQLRQWRUDJH WHPSHUDW XUH UDUJH WR			
7\SLFVCHUPDO USHVULVQHDQFH	72 \$% ,72 \$%	5\$-&	f & : f & :

7<3 0\$;

,QVWDQWDQHRROWRUJZDUG
SHGLRGH ,) \$ 7- f&

9)

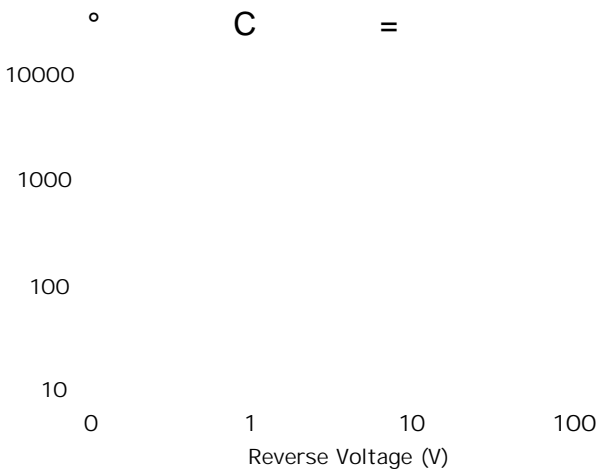
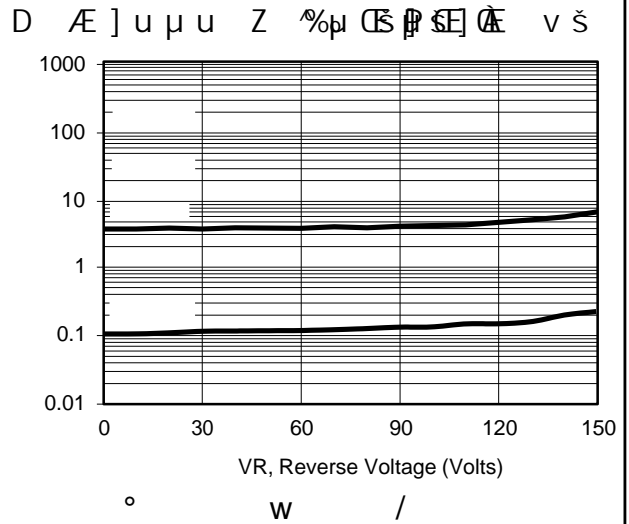
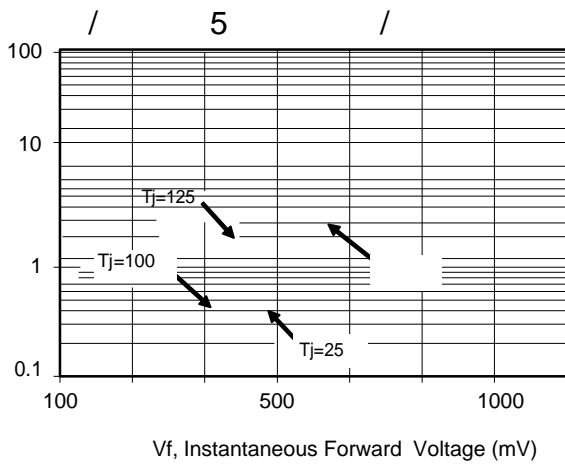
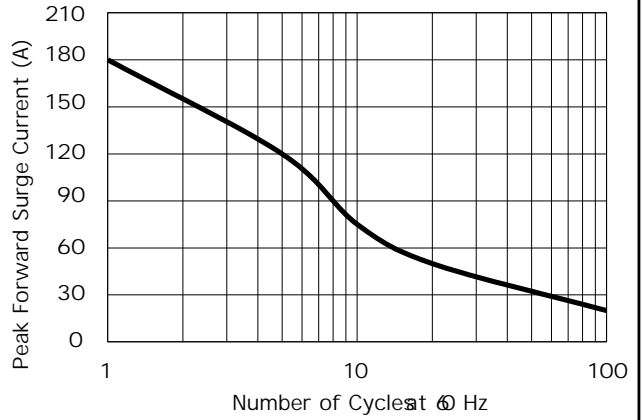
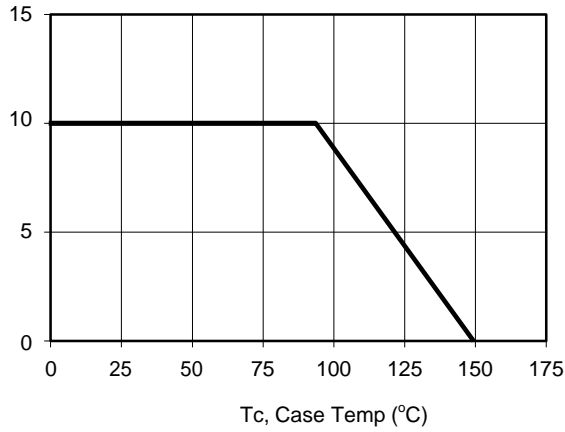
\$ 7- f
9 1 ccS" 71# q 1%

1RWHV

3XOVH WHV\$XOVH ZLGWK GXW\ F\FOH

3XOVH WHVW 3XOPVH ZLGWK 0

RATINGS AND CHARACTERISTICS CURVES

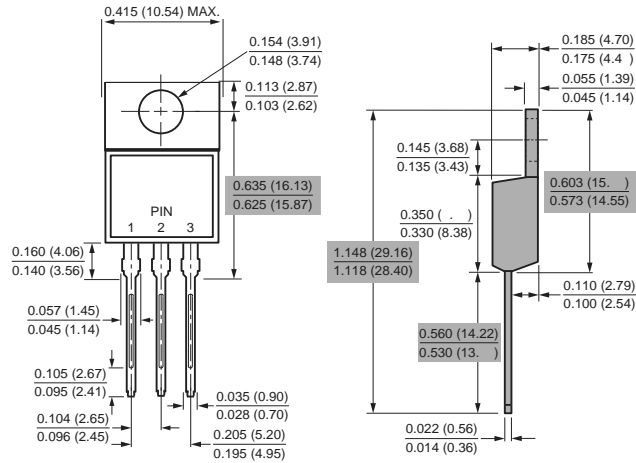


d Ç %] o : μ v š] } v %] š v

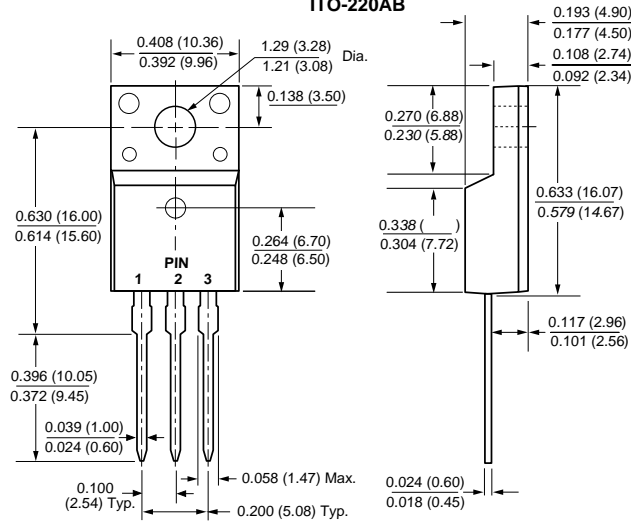
PACKAGE OUTLINE DIMENSIONS

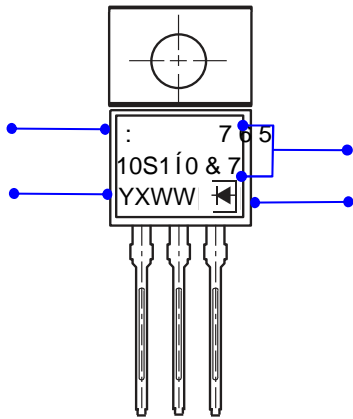
1 R W H X Q L W , Q P P

TO-220AB

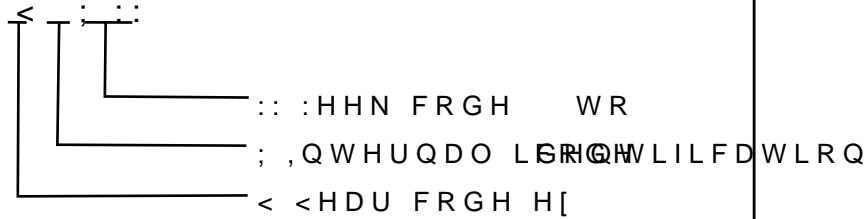


ITO-220AB



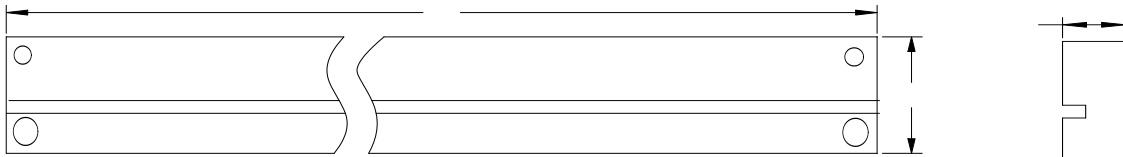


W : Company's trademark
3 URG X F W T S R I G S I 1 0 C T or TSR10S110CTØ
3' & L Q I R U P D W L R Q



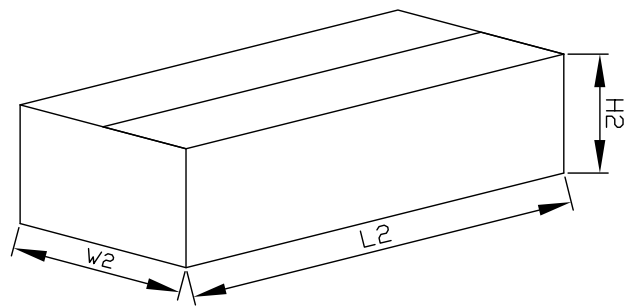
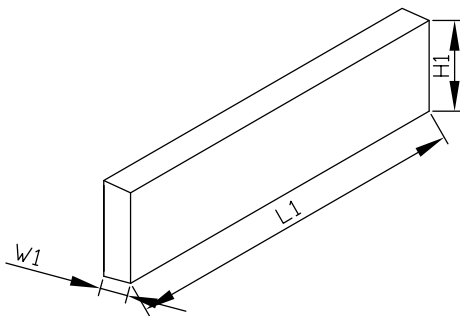
☐ Singal wafer

7 X E H ' L P H Q V L R Q V



, Q V L G H % R [

2 X W V L G H % R [



3 D F N D J L Q J , Q I R U P D W L R Q

12	81,	7 X E H ' L P H Q V L R			, Q V L G H [2 X W V L G H % R [
6 L] H	PP	\$	%	&	/	:	+	/	:	+
		5	7	33	570	46	150	59	26	18
47 <	3 & 6	3 & 6 7 X E H			6 P D O S I F W D J H 3 & 6 2 W X E R W D O			3 & 6 F D U E R G L W R W D O		
1 R W H		7 R O H U D Q F P P " P P			P P " P P			P P " P P		