

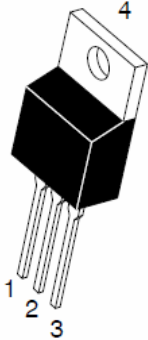


TSR60L45CTF

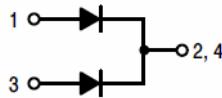
23-NOV-2019

Trench MOS Barrier Schottky Rectifier

**TSR60L45CT
TO-220AB**



**TSR60L45CTF
TO-220F**



Features

- Advanced trench technology
- Low forward voltage drop
- Low power losses
- High efficiency operation
- Lead Free Finish, RoHS Compliant

Applications

- DC/DC Converters
- AC/DC Adaptors
- Switching Power Supplies
- Freewheeling Diodes

Maximum ratings and electrical characteristics (T_J = 25°C unless otherwise noted)

Parameter		Symbol	Limit		Unit
Maximum repetitive peak reverse voltage		VRRM			V
Maximum average forward rectified current	device	IF(AV)	60		A
	per diode		30		
Peak forward surge current 8.3 ms single half sine- wave superimposed on rated load per diode		IFSM	350		A
Operating junction and storage temperature range		TJ, TSTG	-50 to +150		°C
Typical thermal resistance per leg	TO-220AB	R _{JC}	2		°C/W
	TO-220		4		°C/W
Instantaneous forward voltage per diode			TYP.	MAX.	V
	IF=3A	TJ=25°C	0.40	0.45	
	IF=3A	TJ=125°C	0.35	-	
	IF=30A	TJ=25°C	0.5	0.6	
	IF=30A	TJ=125°C	0.50	-	
Instantaneous reverse current per diode at rated reverse voltage	TJ=25°C		10	100	µA
	TJ=125°C		10	-	mA

Notes:

(1) Pulse test: 300 µs pulse width, 1 % duty cycle

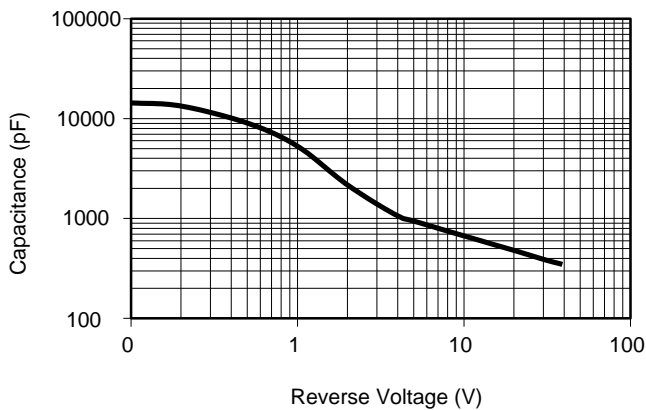
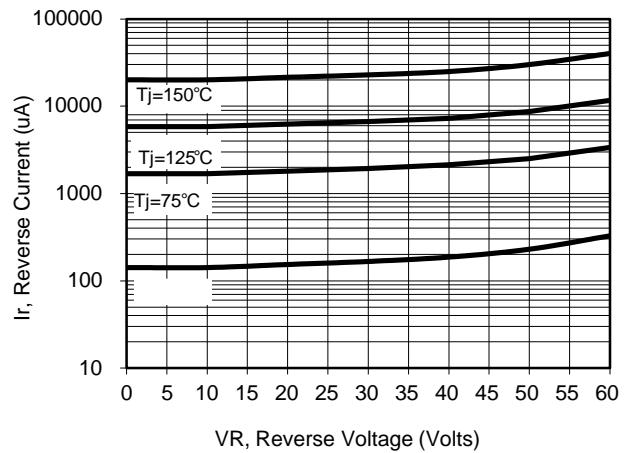
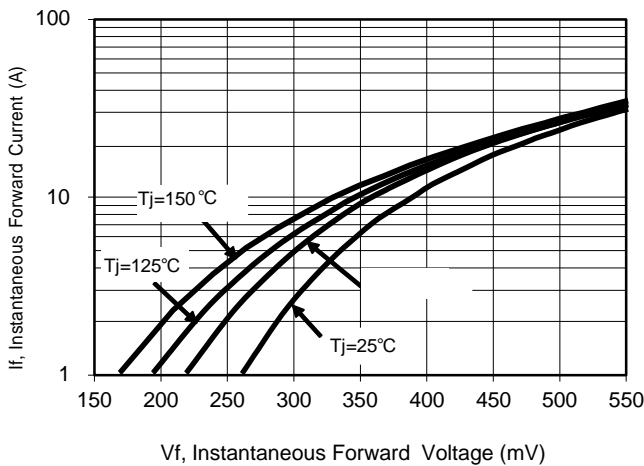
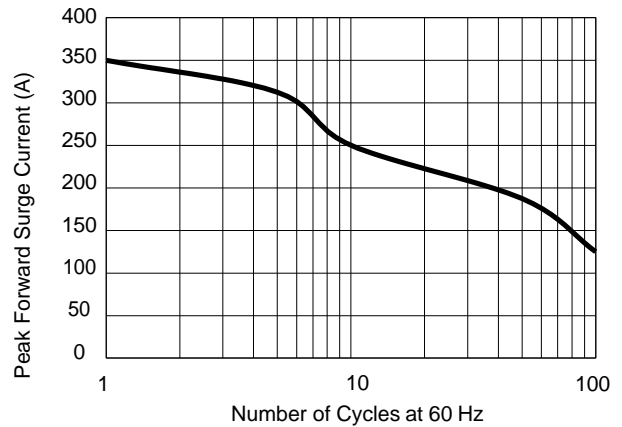
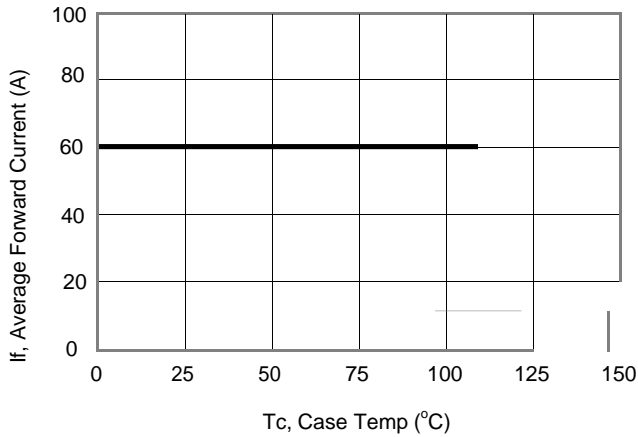
(2) Pulse test: Pulse width ≦ 40 ms

TSR60L45CT

TSR60L45CTF

23-NOV-2019

RATINGS AND CHARACTERISTICS CURVES (TA = 25 °C unless otherwise noted)



PACKAGE OUTLINE DIMENSIONS

—
—

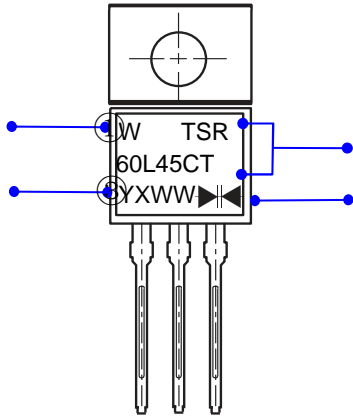


TSR60L45CT

TSR60L45CTF

23-NOV-2019

Marking Information



W : Company's trademark

Product model :

or TSR 0L45CTF

PDC information

② Y X WW

④

WW:Week code(01 to 53)

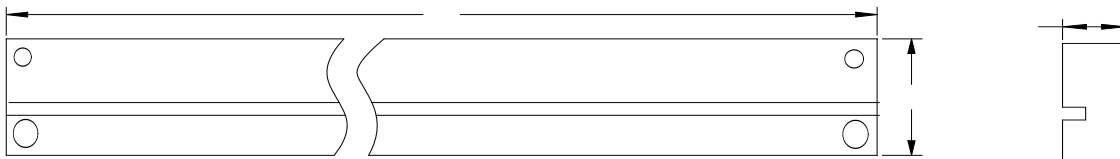
X:Internal identification code

Y:Year code(ex:0=2020)

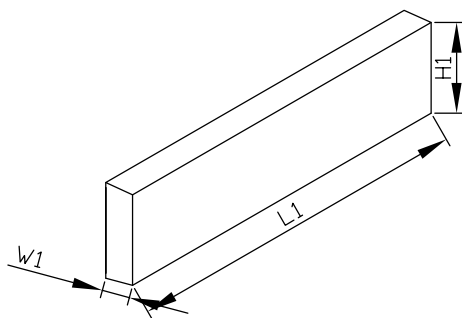
Double wafer

Packaging Information

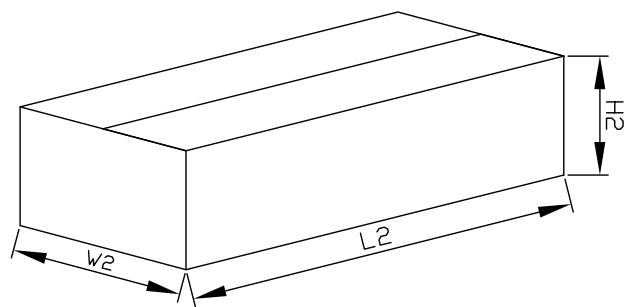
1.Tube Dimensions



2.Inside Box



3.Outside Box



Packaging Information

NO	UNIT	Tube Dimensions			Inside Box			Outside Box		
		A	B	C	L1	W1	H1	L2	W2	H2
Size	mm	530	7	33	570	46	150	590	260	180
QTY	PCS	50PCS/Tube			Smallest package,1000PCS, 20 tube in total			5,000PCS/carton,5 boxes in total		
Note	Tolerance 20mm,±3mm; 21-100mm,±5mm; 101-500mm,±10mm									