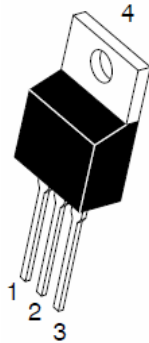


TSR40A 00CT

TSR40A10 CTF

7 U H Q F K 0 2 6 % D U U L H U L B B K R W W N \ 5 H

TO-220AB
TSR40A100CT



ITO-220AB
TSR40A100CTF

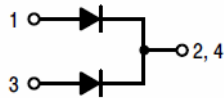


Features

- ‡ \$ G Y D Q W F U H G Q F K W H F K Q R O R J \
- ‡ / R Z R U Z D Y B G W D J H G U R S
- ‡ / R Z R Z I O R V V H V
- ‡ + L J H I L F L H Q F \ R S H U D W L R Q
- ‡ / H D G H H L Q L V K & R P S O L D Q W

Applications

- ‡ ' & ' & R Q Y H U W H U V
- ‡ \$ & ' & \$ G D S W R U V
- ‡ 6 Z L W F X R Z I S S O L H V
- ‡) U H H Z K H H L Q G Q J V



Maximum ratings and electrical characteristics (T_J = 25°C unless otherwise noted)

3 D U D P H W H U		6 \ P E R O	/ L P L W	8 Q L W
0 D [L P X L P H S H V S H M U Y Y H Y U R O H W D J H		9 5 5 0		9
0 D [L P X P Y H U D R J H Z D U G U F X E W H I Q W G		,) \$ 9		\$
G H Y L F H S H G L R G H				
3 H D N I R V Z D U B S U U H Q W V L Q D O H Q H Z D Y H		,) 6 0		\$
V X S H U L P S R V H G R S C G U D R V G H G				
2 S H U D M X Q B D V L Q Q W R U D J H W H P S H U D W		X 0 H 0 6 0 J H	W R	f &
7 \ S L F V D K H U P D O U S H V U L V O H D Q F H		5 \$ - &		f & :
7 2 \$ % , 7 2 \$ %				
, Q V W D Q W D Q H R R O W R U J Z D U G S H G L R G H		9)	7 < 3	0 \$;
	,) \$		7 -	f &
	,) \$		7 -	f &
	,) \$		7 -	f &
, Q V W D Q W D Q H R X U U S H G M H R O W H U D W H H G Y H U R V O H W D J H		, 5		X \$
			7 -	f &

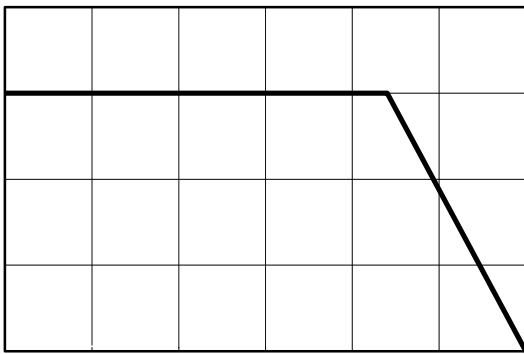
1 R W H V

3 X O V H W H V V S X O V H Z L G W K G X W \ F \ F O H

3 X O V H W H V W 3 X O P V H Z L G W K 0

RATINGS AND CHARACTERISTICS CURVES

□ □ □ □ □ □ □ □ □ □



7 F & DVH 7&HPS

Figure 1: Current Derating, Case

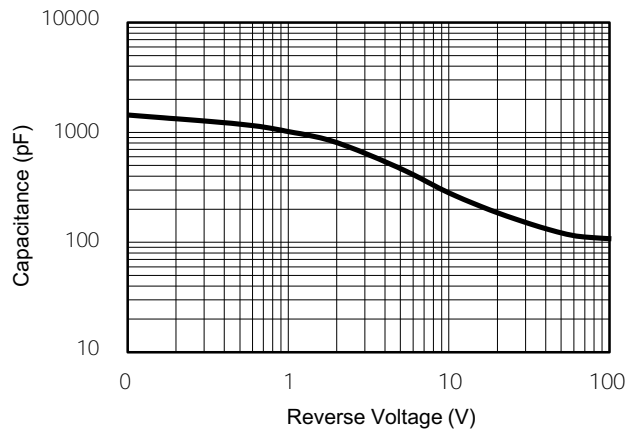
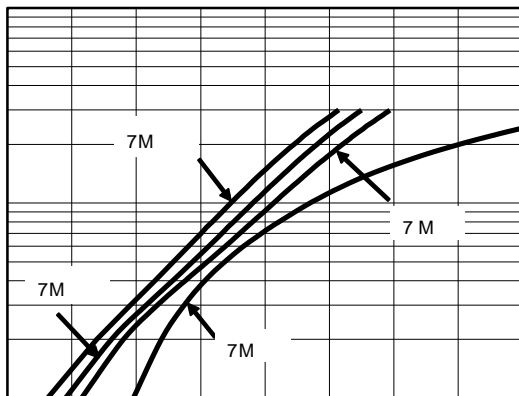


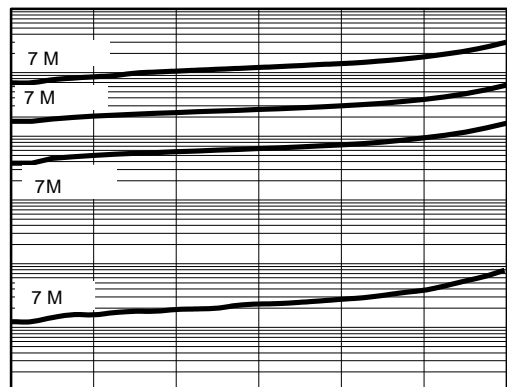
Figure 2: Typical Junction Capacitance



9I ,QVWDQWDQHRXV)RUZDUG

Figure 3: Typical Forward Voltage

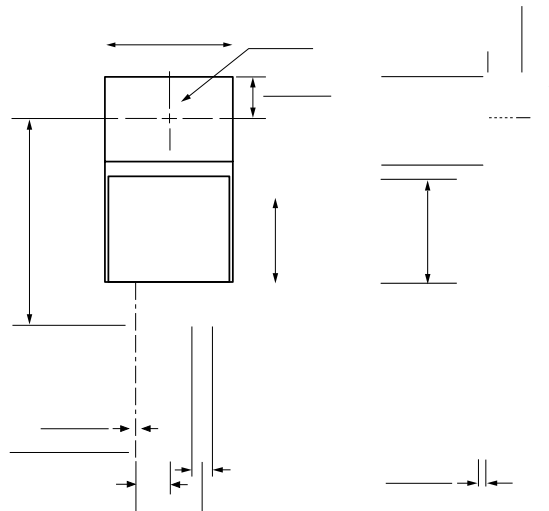
X \$ & XUUH QW U H6Q W



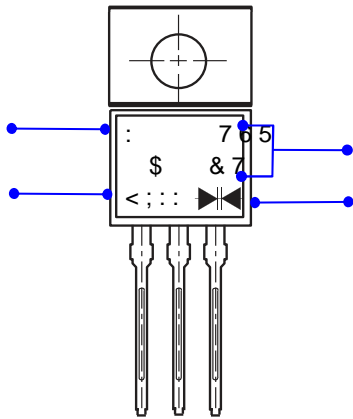
9ROWDJH P995 5HYHUVH 9ROWDJH 9ROWV

Figure 4: Typical Reverse Current

PACKAGE OUTLINE DIMENSIONS (S. f0)



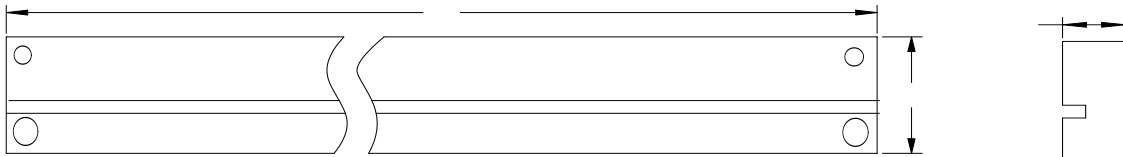
Marking Information



K : ' 7cadUbnfig' hf UXYaUf_
 3 U R G X F W 7 6 5 G H O & 7 [] [] []
 3 ' & L Q I R U P D W L R Q
 < ; : : :
 : : : H H N F R G H W R
 ; , Q W H L G Q H D Q W L F I R F G H W L R Q
 < < H D U F R G H H []
 << &sci V Y kUZyf

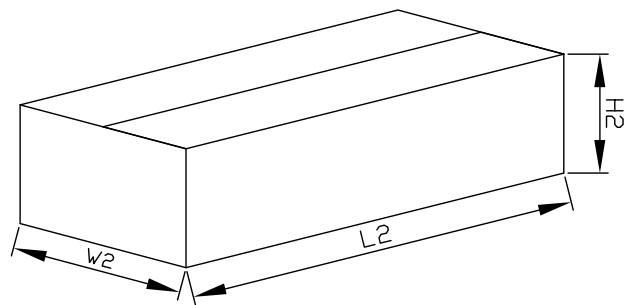
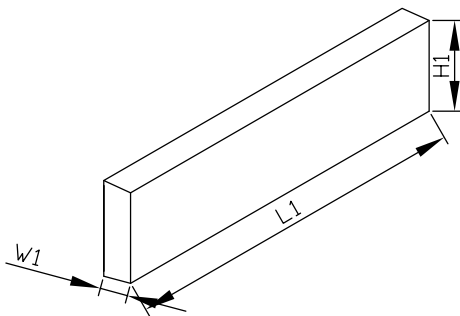
Packaging Information

7 X E H ' L P H Q V L R Q V



, Q V L G H % R []

2 X W V L G H % R []



Packaging Information

1 2	8 1 ,	7 X E H ' L P H Q V L R			, Q V L G H []			2 X W V L G H		
6 L] H	PP	\$	%	&	/	:	+	/	:	+
4 7 <	3 & 6	3 & 6 7 X E H			6 P D O C S H V W D J H 3 & 6 W X E H W R W D O			3 & 6 F D U E R F G L W R W D O		
1 R W H	7 R O H H D Q F P P " P P			P P " P P			P P " P P			