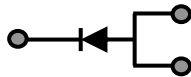


7 UHQFK 026 %DUULHU 6FKRWWN\ 5H

TO-277



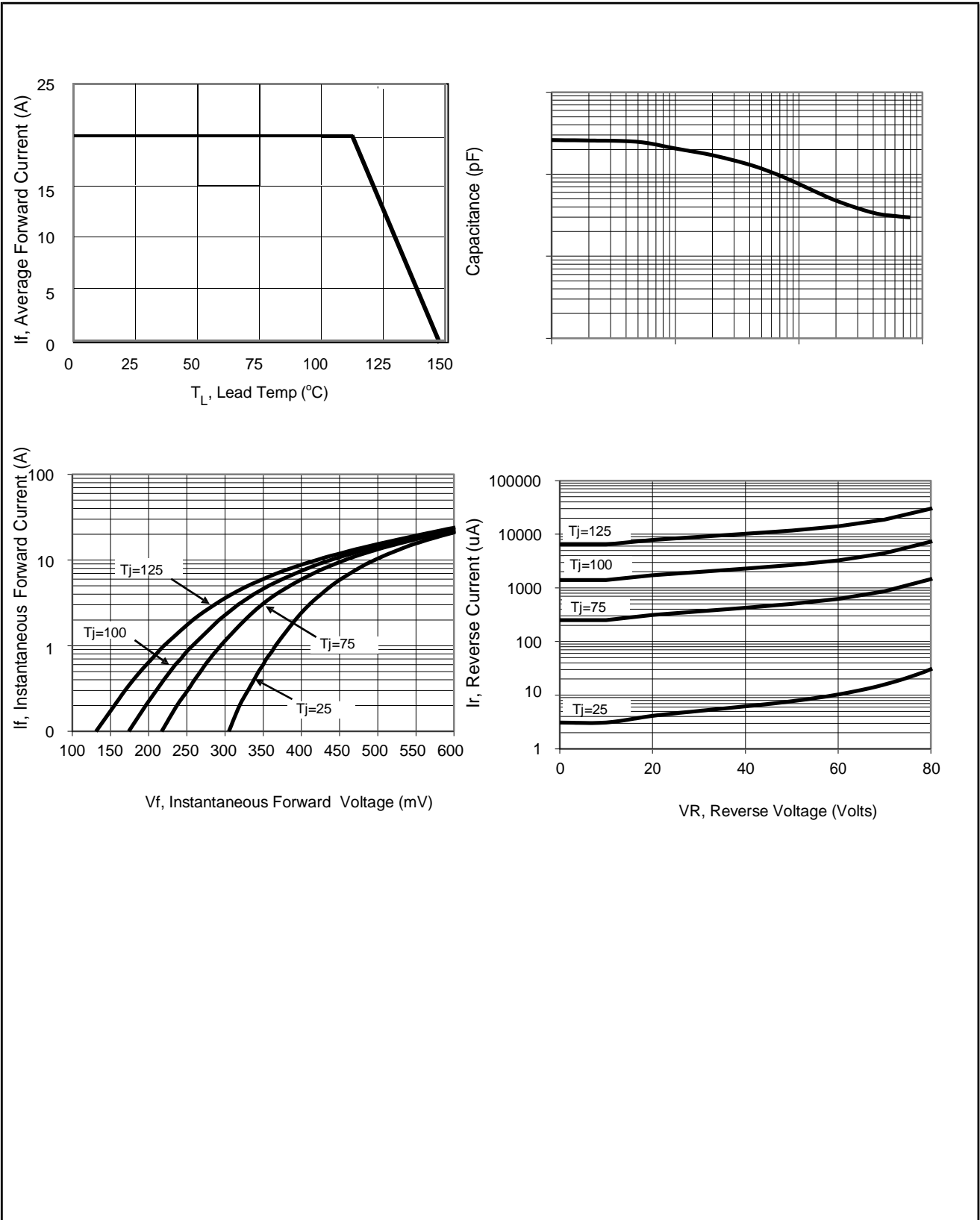
- Advanced trench technology
- Low forward voltage drop
- Low power losses
- High efficiency operation
- Lead Free Finish, RoHS Compliant

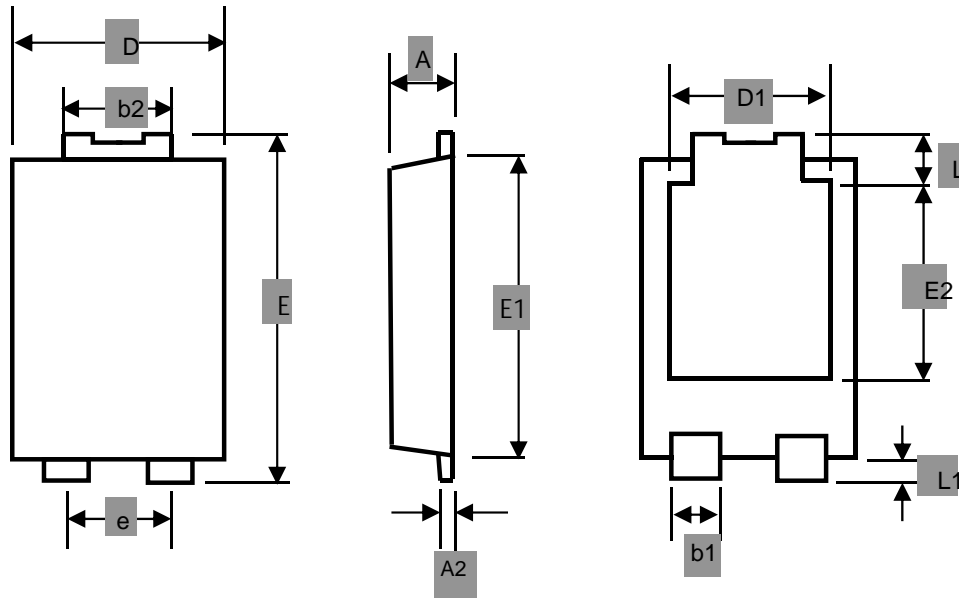
- DC/DC Converters
- AC/DC Adaptors
- Switching Power Supplies
- Freewheeling Diodes

| Parameter | Symbol | Limit | Unit |
|---|----------|-----------------|-------|
| Maximum repetitive peak reverse voltage | VRRM | 80 | V |
| Maximum average forward rectified current | IF(AV) | 2 | A |
| Peak forward surge current 8.3 ms single half sine- wave superimposed on rated load per diode | IFSM | 20 | A |
| Operating junction and storage temperature range | TJ, TSTG | -5 to +150 | °C |
| 7\SLFDO WKHUPDO UHVLVWDQFH SHU GLSHGHRXQWHGRQ)53&AV | | | |
| Instantaneous forward voltage per diode | VF(1) | TYP. | 0.43 |
| | | IF=2A TJ=25°C | 0.40 |
| | | IF=2A TJ=125°C | 0.36 |
| | | IF=2 A 7 - f & | 0.58 |
| | | IF=2 A TJ=125°C | 0.53 |
| Instantaneous reverse current per diode at rated reverse voltage | IR(2) | TJ=25°C | 15 uA |
| | | TJ=125°C | 3 mA |

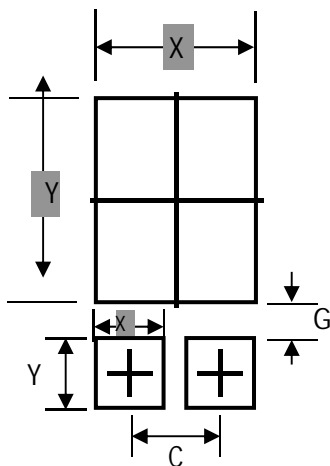
Notes:

3XOVH WHV V\$XOVH ZLGWK GXW\ F\FOH
 3XOVH WHVW 3XOPWH ZLGWK 0





| UNIT | | A | A2 | b1 | b2 | D | D1 | E | E1 | E2 | L | L1 |
|------|-----|-------|-------|-------|-------|-------|-------|-------|-------|-------|-------|-------|
| mm | max | 1.3 | 0.4 | 1.0 | 1.9 | 4.3 | 3.05 | 6.6 | 5.75 | 3.55 | 1.0 | 0.7 |
| | min | 1.1 | 0.2 | 0.8 | 1.7 | 3.9 | | 6.4 | 5.3 | | 0.8 | 0.5 |
| mil | max | 51.18 | 15.75 | 39.37 | 74.80 | 169.3 | 120.0 | 259.8 | 226.3 | 139.7 | 39.37 | 27.55 |
| | min | 43.30 | 7.87 | 31.49 | 66.93 | 153.5 | | 252.0 | 208.6 | | 31.49 | 19.69 |

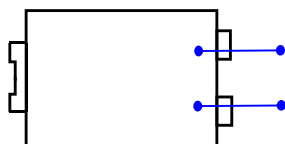
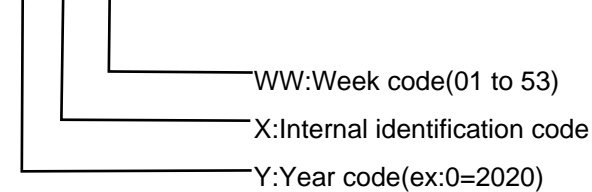


| UNIT | | C | G | X | X1 | | |
|------|-----|-------|-------|--------|-------|--|--|
| mm | min | 1.80 | 0.90 | 3.4 | 1.4 | | |
| mil | min | 78.86 | 35.43 | 133.86 | 35.43 | | |

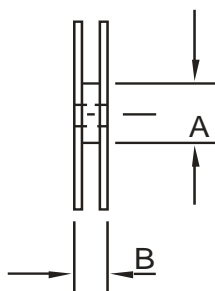
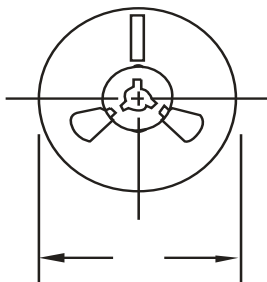
Product model :TSP20V80SP Referred to as 20V80

PDC information

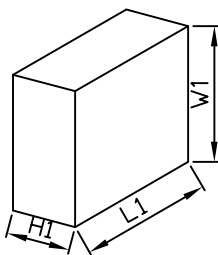
Y X WW



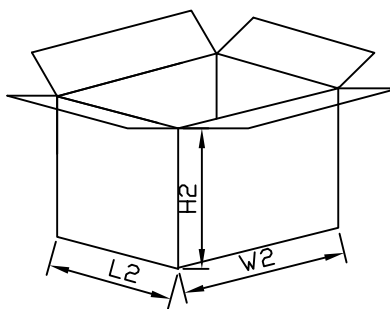
1.Reel Dimensions



2.Inside Box



3.Outside Box



| NO | UNIT | Reel Dimensions | | | Inside Box | | | Outside Box | | |
|------|---|-------------------------------|----|----|---------------------------|-----|----|-----------------------------------|-----|-----|
| | | | A | B | L1 | W1 | H1 | L2 | W2 | H2 |
| Size | mm | 330 | 70 | 15 | 335 | 335 | 43 | 360 | 360 | 360 |
| QTY | PCS | Smallest package,5000PCS/reel | | | 10,000PCS,2 reel in total | | | 80,000PCS/carton,8 boxes in total | | |
| Note | Tolerance 20mm,±3mm; 21-100mm,±5mm; 101-500mm,±10mm | | | | | | | | | |