

7 UHQFK 026 %DUULHU 6FKRWWN\ 5H

TO-220AB  
TSR /1 OCT



ITO-220AB  
TSR /1 OCTF



**Features**

- ‡ \$GYDQWUHQFK WHFKQRORJ\
- ‡ /RZRZURGRWDJH GURS
- ‡ /RZRZURGRVHV
- ‡ +LJKILFLHQF\ RSHUDWLRO
- ‡ /HDGH)HLQLVK &R#6OLDQW

**Applications**

- ‡ '&' & RQYHUWHUV
- ‡ \$&' & \$GDSWRUV
- ‡ 6ZLWFKRZHXSSOLHV
- ‡ )UHHZKH'HLRGRJ

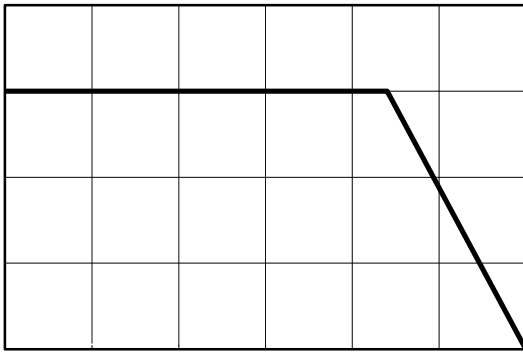
Maximum ratings and electrical characteristics (T<sub>J</sub> = 25°C unless otherwise noted)

3DUDPHWHU	6\PERO	/LPLW	8QLW
0D[LPXPHSHVSHUNYHYURQHW DJH	9550		9
0D[LPXPHYUDRJRZDUG UFKUWHIHWG SHGLRGH	,) \$9		\$
3HDN IRVZDUEBUUHQW VLQDQH ZDYH VXSHULPSRVHGRFSGUDRCHG	,)60		\$
2SHUDMXQDQLRQWRUDJH WHPSHUDW XUHURDJH WR			f&
7\SLFVCHUPDO USHVULVQHDQFH	72 \$% ,72 \$%		f& : f& :
,QVWDQWDQHRROWRUJZDUG SHGLRGH	9)	7 < 3	0\$;
		,) \$	7- f&
		,) \$	7- f&
		,) \$	7- f&
,QVWDQWDQHRXUUSHQWRUWH UDWHYHYURQHW DJH	,5		X\$
			P\$

1RWHV  
3XOVH WHVVSXOVH ZLGWK GXW\F\FOH  
3XOVH WHVW 3XOPVH ZLGWK 0

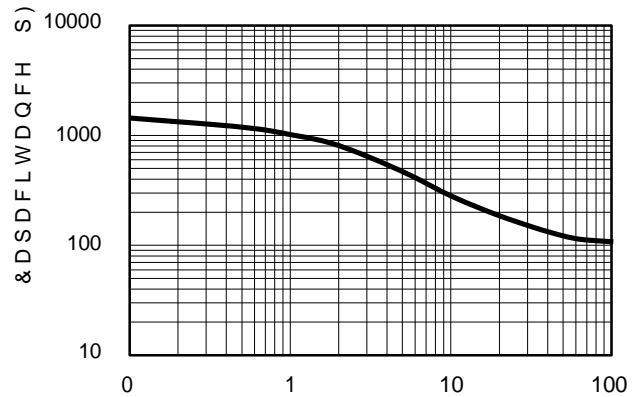
RATINGS AND CHARACTERISTICS CURVES

f & X Q O H V Q R W K B U Z L V H



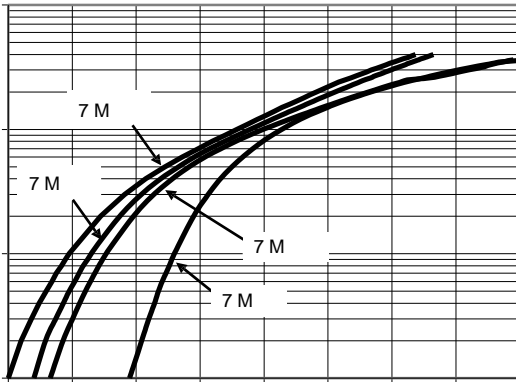
7 F & DVH 7 & HPS

Figure1: Current Derating, Case



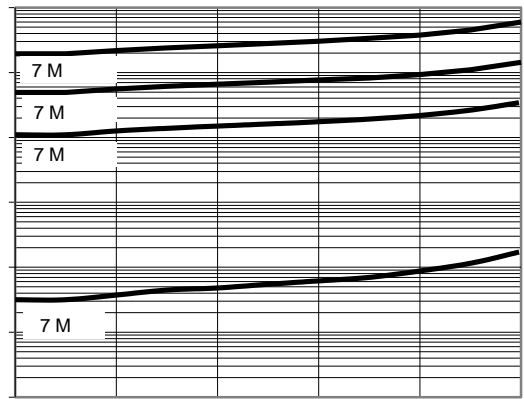
5 H Y H U V H 9 R O W D J H

Figure2: Typical Junction Capacitance



9 I , Q V W D Q W D Q H R X V ) R U Z D U G 9 R O W D J H P 9

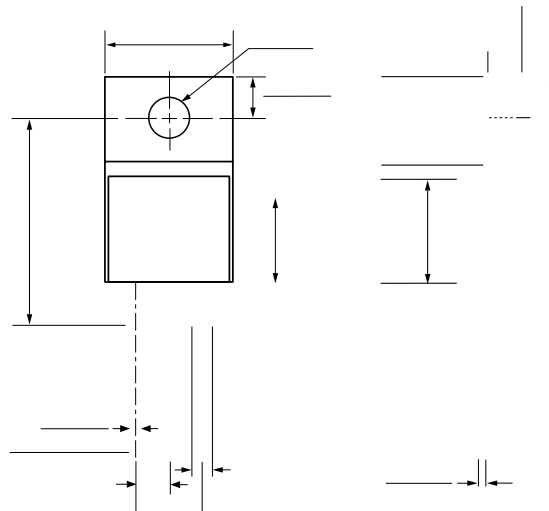
d Ç % o & } œ Á œ s } o š P



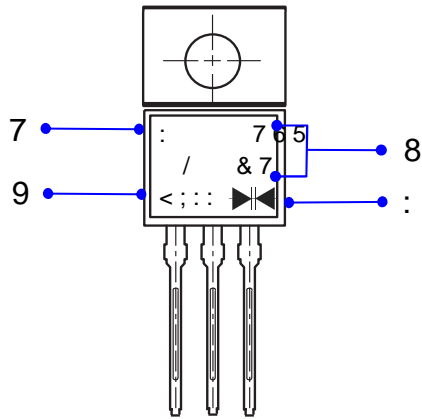
9 5 5 H Y H U V H 9 R O W D J H 9 R O W V

d Ç % o Z μ œ œ • v š

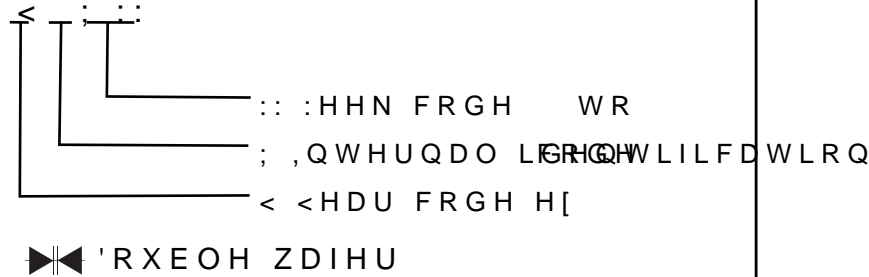
# PACKAGE OUTLINE DIMENSIONS



### 0DUNLQJ ,QIRUPDWLRQ

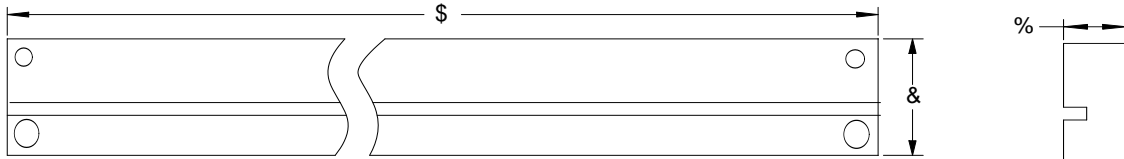


7 : &RPSDQ\ V WUDGHPDUN  
 8 3URGXFW 765 / &7) )  
 9 3' & LQIRUPDWLRQ



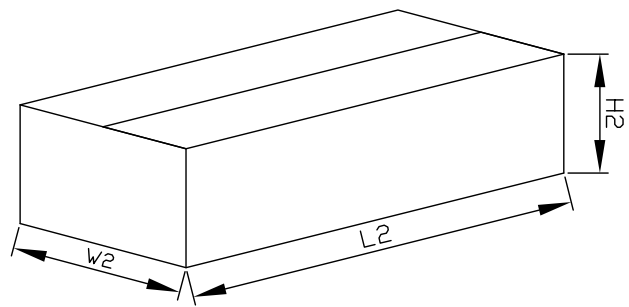
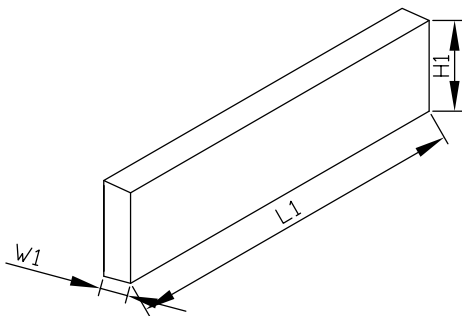
### 3DFNDJLQJ ,QIRUPDWLRQ

7XEH 'LPHQVLRQV



,QVLGH %R[

2XWVLGH %R[



### 3DFNDJLQJ ,QIRUPDWLRQ

12	81,	7XEH 'LPHQVLRQ			,QVLGH			2XWVLGH %R[		
		\$	%	&	/	:	+	/	:	+
6LH	PP									
47<	3&6	3&6 7XEH			6PDO SHFWDJH3&6 WXEORWDO			3&6 FDUERGLWRWDO		
1RWH		7ROHUDQFHPP"PP			PP"PP			PP"PP		