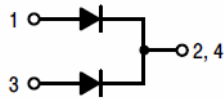
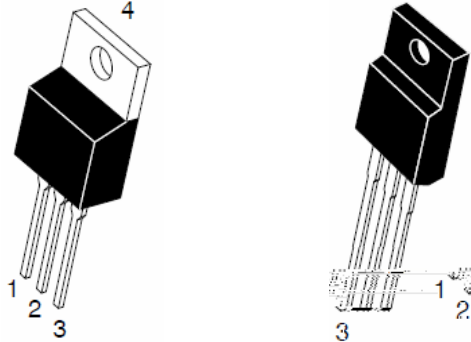


7UHQFK 026 %DUULHU 6FKRWWN\ 5H

72 \$%
765 / &7

,72 \$%
765 / &7)



)HDXUHV

‡ \$GYDQWUHQFK WHFKQRORJ\
‡ /RZRUZDWRGWDJH GURS
‡ /RZRZDWRVHV
‡ +LJKILFLHQF\ RSHUDWLRQ
‡ /HDGH)HLQLVK &RPSOLDQW

\$SSOLFDFWLRQV

‡ '& '& &RQYHUWHUV
‡ \$& '\$GDSWRUV
‡ 6ZLWFKRZDSSOLHV
‡)UHHZKHHLRQJ

0D[LPXP UDWLQJV DQG HOHFWULFDJ& FXODDWHVHUQRWHIGFV

3DUDPHWHU	6\PERO	/LPLW	8QLW
0D[LPXP SHSHVSHUNYHYURQHW DJH	9550		9
0D[LPXPYHUDRJDZDUG UFXEWHHJW	GHYLFH ,) \$9		\$
3HDN IRVZDUEBUUHQW VLKDDHQH ZDYH VXSHULPSRVVHGRFSCGUDRCHG	,)60		\$
2SHUDMXQDQDQWRUDJH WHPSHUDW	XUH 0DQJH	WR	
7\SLFVQCHUPDO USHVULVQHDQFH	72 \$% ,72 \$%	5\$-&	f & : f & :
		7<3	0\$;

,QVWDQWDQHRRQWRUDZDUG
SHGLRGH

9)

9

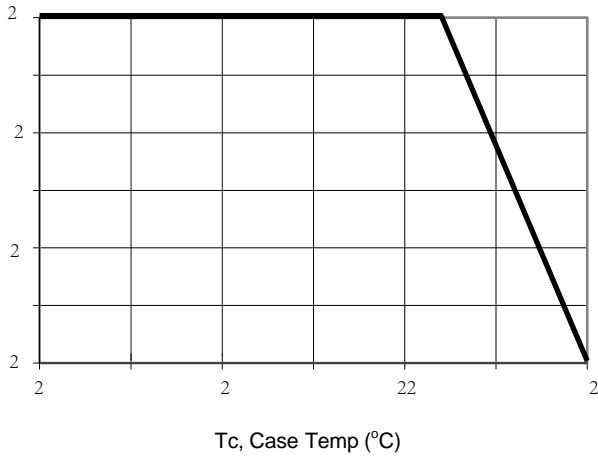
1RWHV

3XOVH WHVWSXOVH ZLGWK GXW\ F\FOH
3XOVH WHVW 3XOVH ZLGWK 0 PV

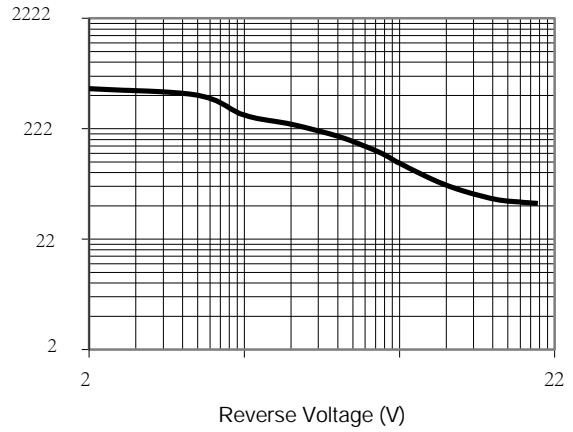
765 / & 7 765 / & 7)

129

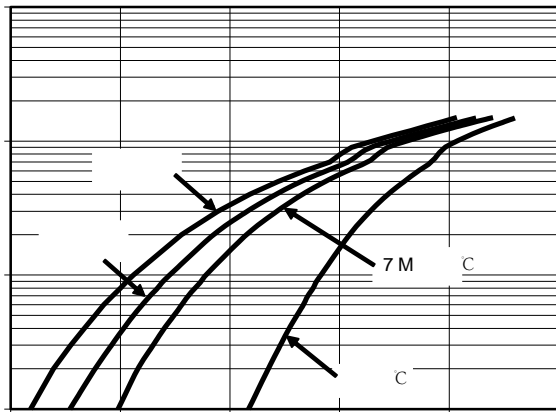
5\$7,1*6 \$1' &+\$5\$&7(5,67,&6 &7859(6f& XQOHVQRWKB UZLVH



μ OE OE OE v šš•] v P U

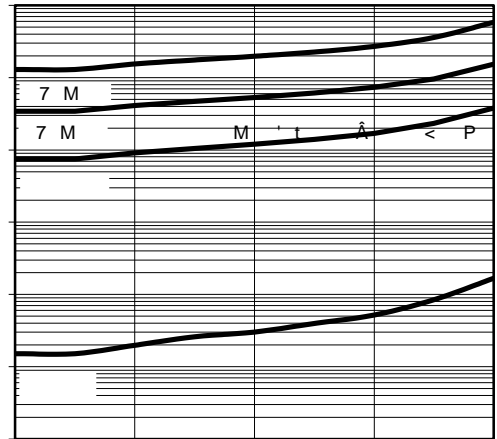


Typical Junction Capacitance



9I ,QVQVQDRX)RUZUG 9ROWDJIP9

Typical Forward Voltage

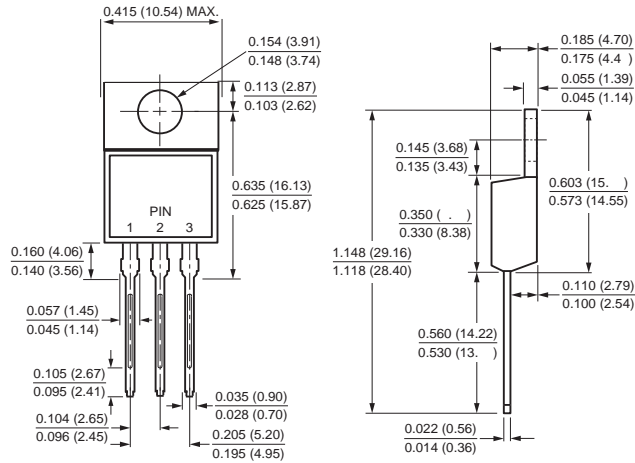


VR, Reverse Voltage (Volts)

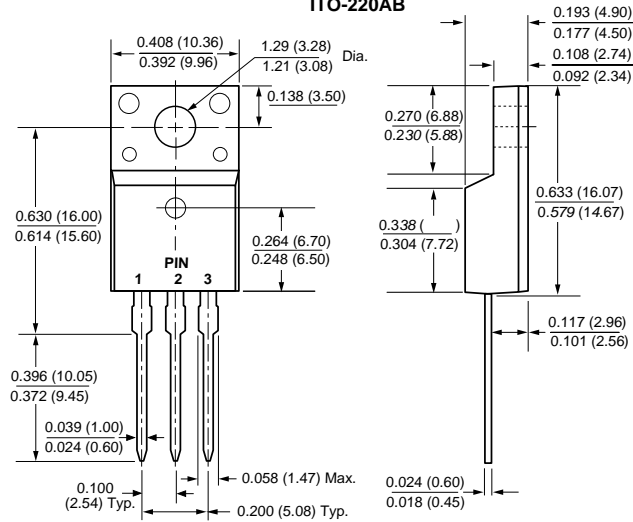
d Ç %] À μOE •OE v š

3 \$ & . \$ * (2 8 7 / , 1 (' , 0 (1 6 , 2 1 6

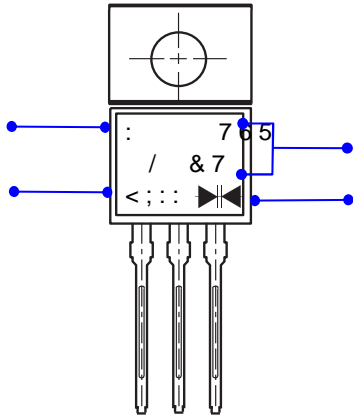
TO-220AB



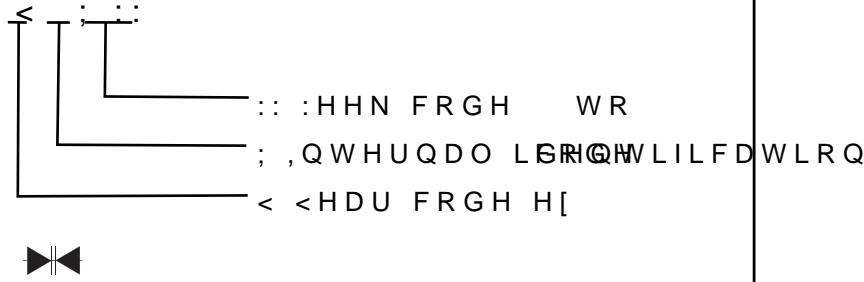
ITO-220AB



0DUNLQJ ,QIRUPDWLRQ

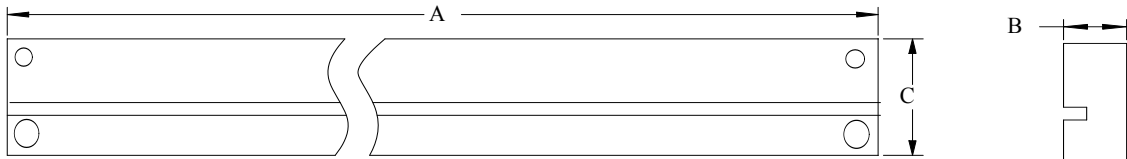


3URGXFW 765 / &7 RU 765 / &7)
3' & LQIRUPDWLRQ



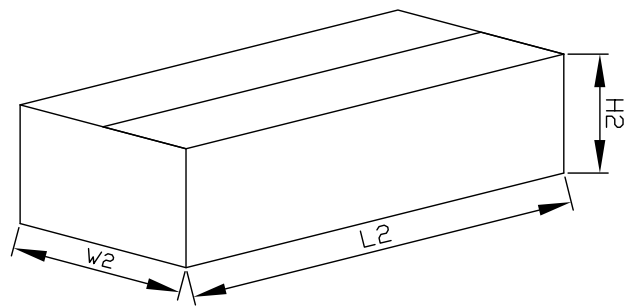
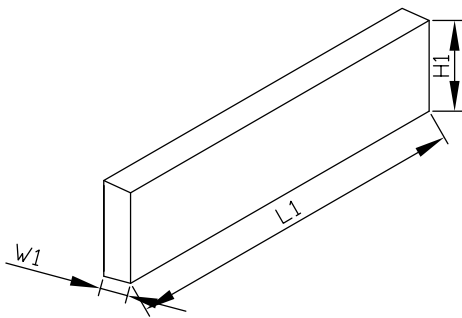
3DFNDJLQJ ,QIRUPDWLRQ

7XEH 'LPHQVLRQV



,QVLGH %R[

2XWVLGH %R[



3DFNDJLQJ ,QIRUPDWLRQ

12	81,	7XEH 'LPHQVLRQ			,QVLGH %R[2XWVLGH %R[
6L]H	PP	\$	%	&	/	:	+	/	:	+
47<	3&6	3&6 7XEH			6PDO SHVWDJH3&6 WXEORWDO			3&6 FDUERGLWRWDO		
1RWH	7ROHUDQFH PP" PP PP" PP PP" PP									